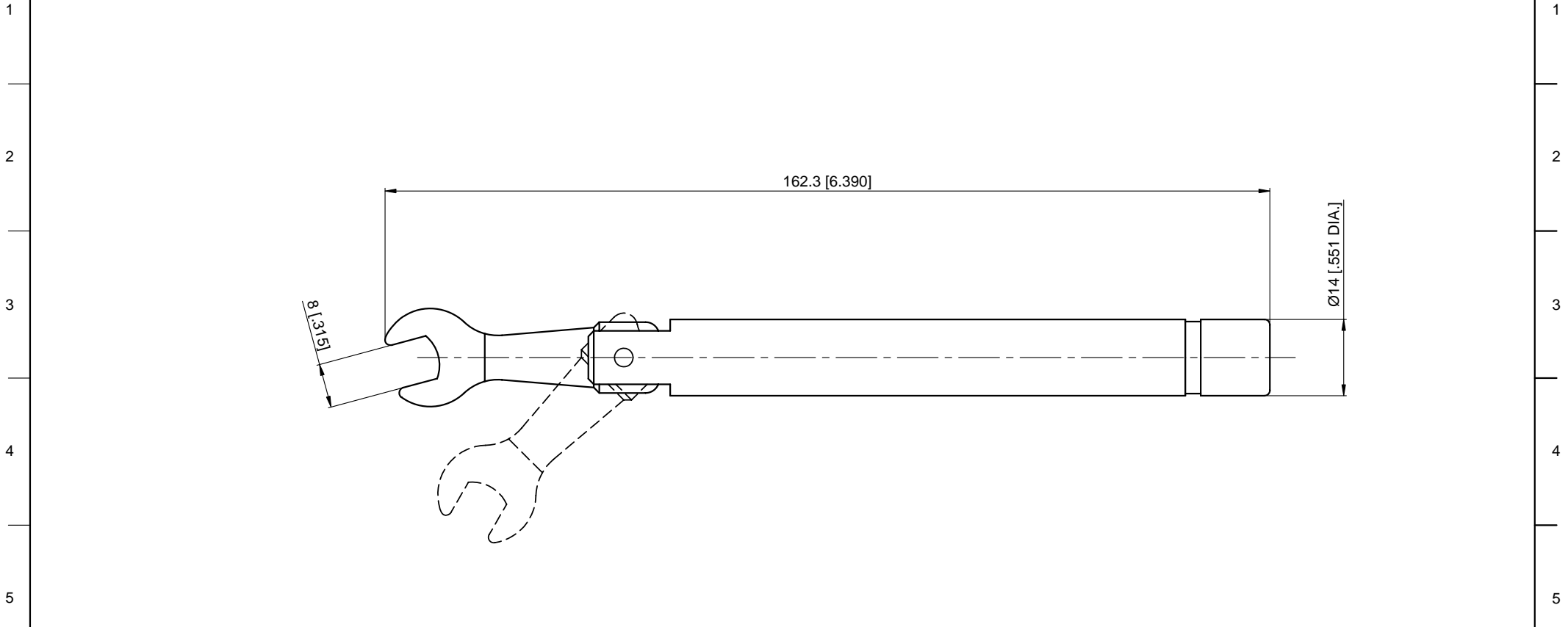


A B C D E F G H I J

REVISIONS				
REV	DESCRIPTION OF REVISION	ECN No.	DATE	APPROVED
A	INITIAL RELEASE		02/20/2014	M. Dong



Preset Torque: 1.35Nm [11.9 in. lbs]

NOTES:
 1. ALL SPECIFICATIONS ARE SUBJECT TO CHANGE WITHOUT NOTICE AT ANY TIME
 2. UNLESS OTHERWISE SPECIFIED ALL DIMENSIONS ARE NOMINAL.

UNLESS OTHERWISE SPECIFIED, DIMENSIONS ARE IN MILLIMETERS (INCHES). UNLESS OTHERWISE SPECIFIED DIMENSIONAL TOLERANCES ARE: .XX ±0.13 [.005"] .X ±0.20 [.008"] X ±0.50 [.019"] ANGULAR TOLERANCES ARE: ALL=±1° DO NOT SCALE DRAWING PROJECTION:
--

DRAWN:	L. Ma	02/20/2014
CHECKED:	J. Zhu	02/20/2014
APPROVED:	M. Dong	02/20/2014

TITLE:
**Preset Torque Wrench With
 8mm Bit For SMA, 2.92 mm,
 3.5 mm Connectors**

CMP_{TER}®
 Cmp_{ter} Electronics Co., Ltd. www.cmp_{ter}.com
 PART No.:
TW-002
 SIZE: A4 SCALE: 1:1 SHEET: 1/1 REV: A

A B C D E F G H I J