

... A Vital Part of Connection World



---

Receptacles With Accepts Pin

---

Receptacles, Metal Through The Wall

---

Receptacles, Insulator Through The Wall

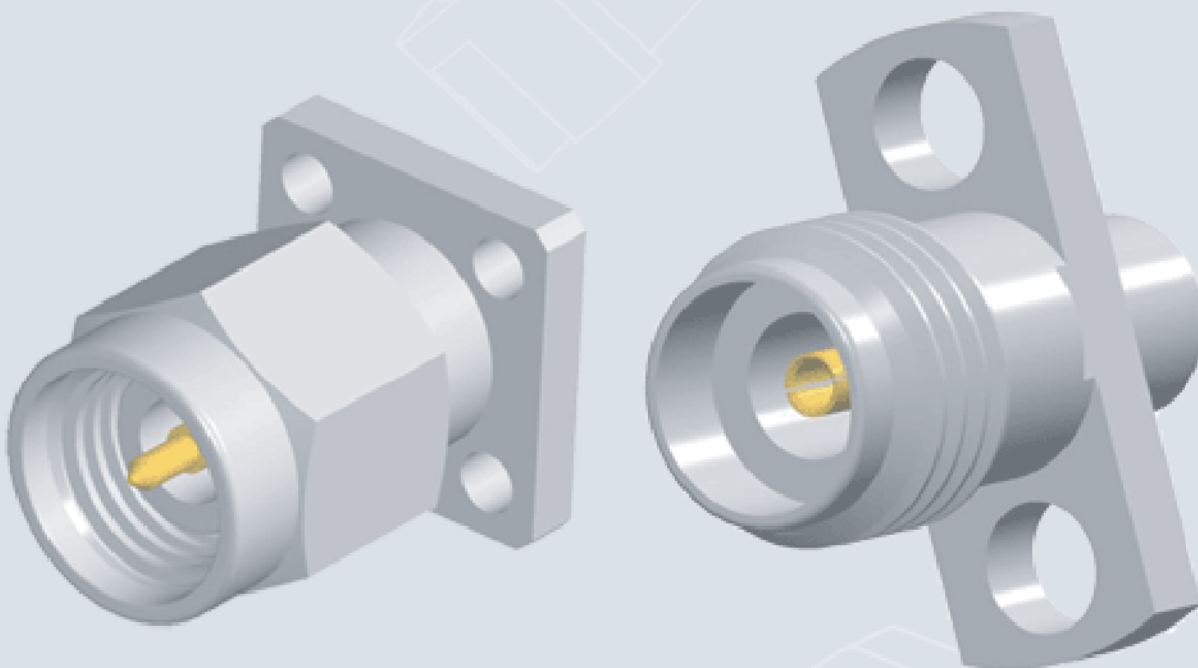
---

Receptacles, Air Line Through The Wall

---

PCB Connectors

---



## 2.92MM CONNECTORS

# 2.92mm Precision Connectors



## DESCRIPTION

2.92mm connector is 50ohm precision connector designed to perform mode free to 40GHz. The outer conductor measures 2.92mm with a strong outer body wall compared to dielectric loaded interfaces of comparable size. The interface dielectric is air with the center conductor supported by a short dielectric bead. 2.92mm connectors are mechanically compatible with SMA and 3.5mm connectors, but the male centre pin is shortened to allow outer conductor engagement before the center contacts mate, preventing damage to the female contact tines. Cmp ter offers 2.92mm connectors for semi-rigid and low-loss flexible cable, receptacles and precision adapters which may be adapted for custom applications.

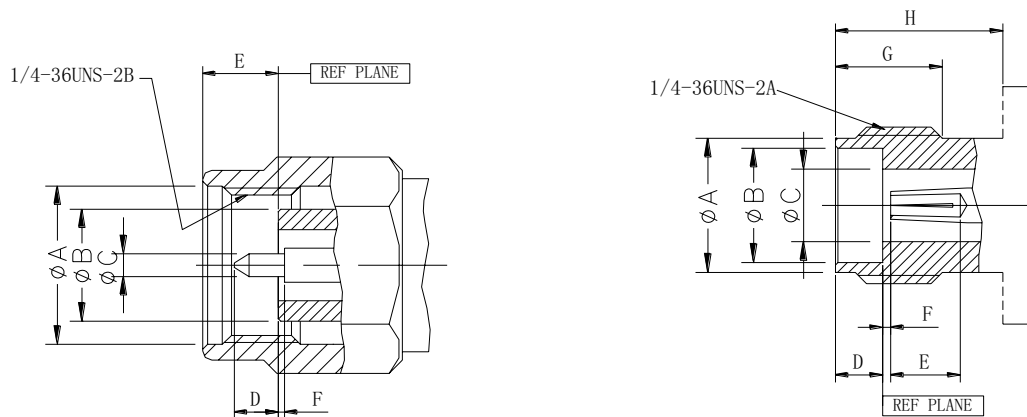
### 2.92mm Design Features

- Excellent performance up to 40GHz
- Low VSWR and insertion loss
- Rugged construction for reliability
- Mechanically compatible with 3.5mm and SMA connector series

## CONTENTS

Description .....	1
Interface dimensions .....	2
Technical data .....	3
Receptacles With Accepts Pin .....	4
Receptacles, Metal Through The Wall.....	7
Receptacles, Insulator Through The Wall.....	9
Receptacles, Air Line Through The Wall.....	11
PCB Connectors.....	13

# 2.92mm INTERFACE



2.92mm Male				
	mm		Inch	
	Min	Max	Min	Max
A	6.48	—	0.255	—
B	4.52	4.57	0.178	0.180
C	0.90	0.94	0.0355	0.0370
D	1.40	1.65	0.055	0.065
E	—	3.43	—	0.135
F	0.00	0.13	0.000	0.005

2.92mm Female				
	mm		Inch	
	Min	Max	Min	Max
A	5.23	5.44	0.206	0.214
B	4.60	4.65	0.181	0.183
C	2.90	2.95	0.114	0.116
D	1.88	1.98	0.074	0.078
E	2.67	—	0.105	—
F	0.00	0.13	0.000	0.005
G	4.32	—	0.170	—
H	5.54	—	0.218	—

Interface dimensions conformable to the standards: MIL-STD-348A

# TECHNICAL DATA



ELECTRICAL DATA	
Impedance	50 Ohm
Frequency range	DC — 40GHz
Dielectric withstanding voltage	750V
Insulation resistance	$\geq 3 \times 1000 \text{ M}\Omega$
Contact resistance	inter contact $\leq 3 \text{ m}\Omega$ out contact $\leq 2.0 \text{ m}\Omega$
VSWR max.	1.15 : 1

MECHANICAL DATA	
Base material	
Centercontact	Copper Beryllium Alloy, Gold-pated
Body	Stainless Steel, Passivated
Insulator	PEI, PTFE
Durability(matings)	$\geq 500$

ENVIRONMENTAL	
Temperature Range	-55 °C to + 165 °C
Thermal shock	MIL-STD-202, Method 107, Condition B
Corrosion	Saltspray test acc.to MIL-STD-202, Method 101, Condition B
Vibration	MIL-STD-202, Method 204, Condition D

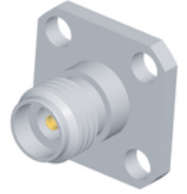
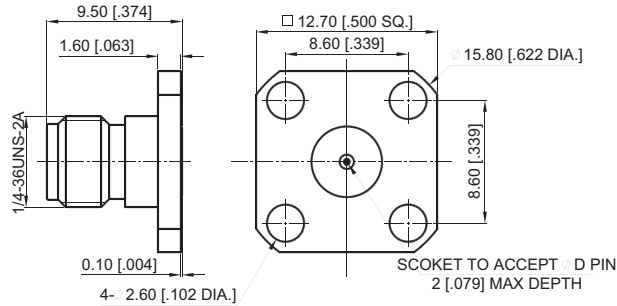
# RECEPTACLES WITH ACCEPTS PIN



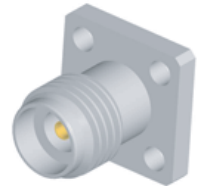
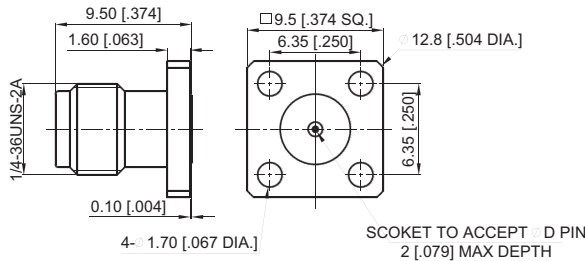
## Receptacles, jacks (female), Flange Mount



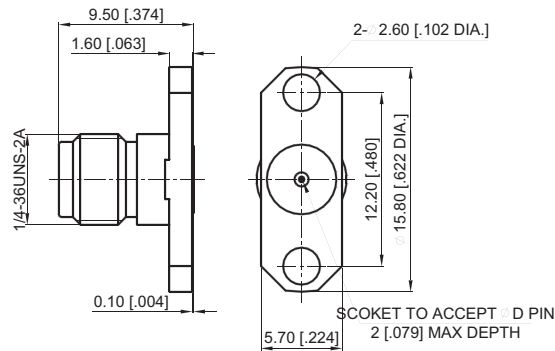
Part Number	∅ D PIN
96-02-9F5-001A	0.23 [.009]
96-02-9F5-001B	0.30 [.012]
96-02-9F5-001C	0.38 [.015]
96-02-9F5-001D	0.51 [.020]



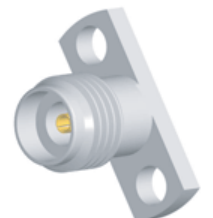
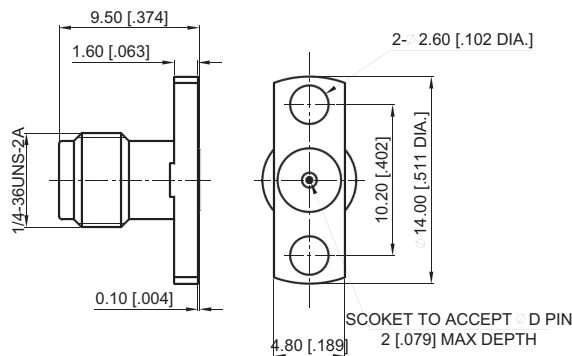
Part Number	∅ D PIN
96-02-9F5-002A	0.23 [.009]
96-02-9F5-002B	0.30 [.012]
96-02-9F5-002C	0.38 [.015]
96-02-9F5-002D	0.51 [.020]



Part Number	∅ D PIN
96-02-9E5-003A	0.23 [.009]
96-02-9E5-003B	0.30 [.012]
96-02-9E5-003C	0.38 [.015]
96-02-9E5-003D	0.51 [.020]



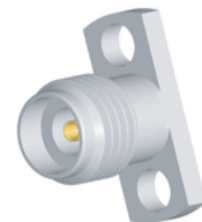
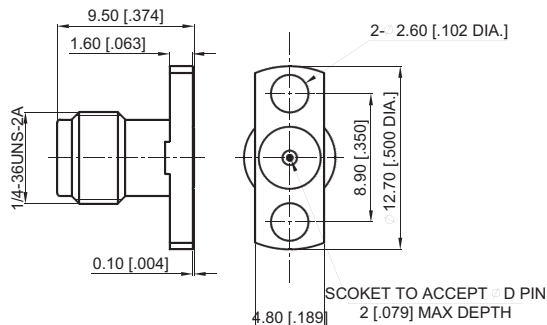
Part Number	∅ D PIN
96-02-9E5-004A	0.23 [.009]
96-02-9E5-004B	0.30 [.012]
96-02-9E5-004C	0.38 [.015]
96-02-9E5-004D	0.51 [.020]



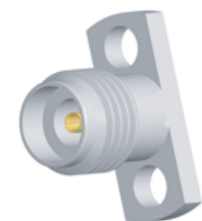
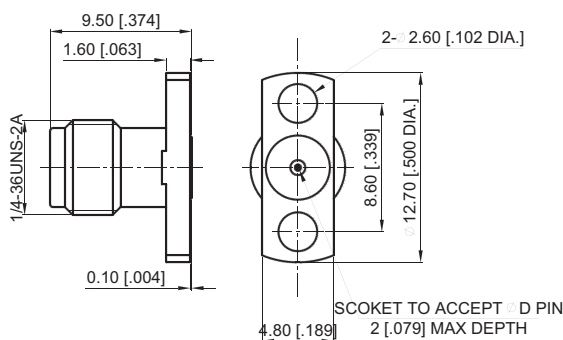
# RECEPTACLES WITH ACCEPTS PIN

## Receptacles, jacks (female), Flange Mount

Part Number	∅ D PIN
96-02-9E5-005A	0.23 [.009]
96-02-9E5-005B	0.30 [.012]
96-02-9E5-005C	0.38 [.015]
96-02-9E5-005D	0.51 [.020]

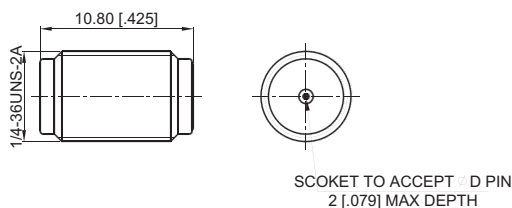


Part Number	∅ D PIN
96-02-9E5-006A	0.23 [.009]
96-02-9E5-006B	0.30 [.012]
96-02-9E5-006C	0.38 [.015]
96-02-9E5-006D	0.51 [.020]



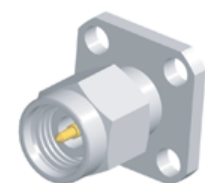
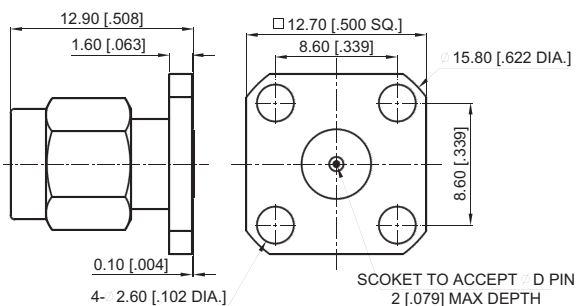
## Receptacles, jacks (female), Thread in

Part Number	∅ D PIN
96-02-9A5-007A	0.23 [.009]
96-02-9A5-007B	0.30 [.012]
96-02-9A5-007C	0.38 [.015]
96-02-9A5-007D	0.51 [.020]



## Receptacles, plugs (male), Flange Mount

Part Number	∅ D PIN
96-03-9F5-008A	0.23 [.009]
96-03-9F5-008B	0.30 [.012]
96-03-9F5-008C	0.38 [.015]
96-03-9F5-008D	0.51 [.020]

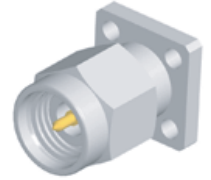
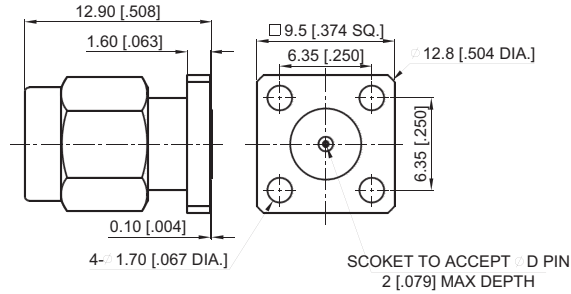


# RECEPTACLES WITH ACCEPTS PIN

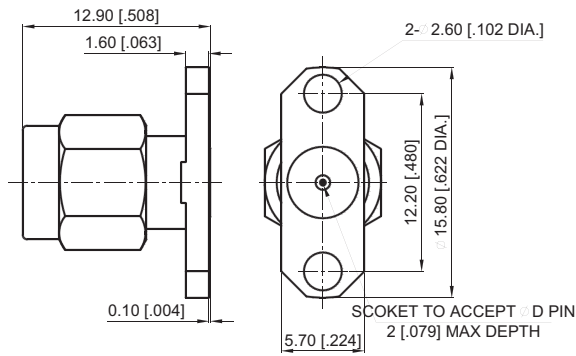


Receptacles, plugs (male), Flange Mount

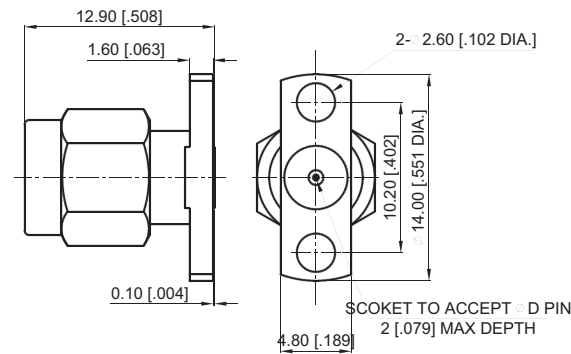
Part Number	∅ D PIN
96-03-9F5-009A	0.23 [.009]
96-03-9F5-009B	0.30 [.012]
96-03-9F5-009C	0.38 [.015]
96-03-9F5-009D	0.51 [.020]



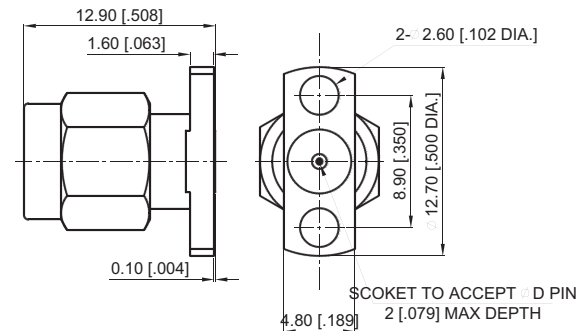
Part Number	∅ D PIN
96-03-9E5-010A	0.23 [.009]
96-03-9E5-010B	0.30 [.012]
96-03-9E5-010C	0.38 [.015]
96-03-9E5-010D	0.51 [.020]



Part Number	∅ D PIN
96-03-9E5-011A	0.23 [.009]
96-03-9E5-011B	0.30 [.012]
96-03-9E5-011C	0.38 [.015]
96-03-9E5-011D	0.51 [.020]



Part Number	∅ D PIN
96-03-9E5-012A	0.23 [.009]
96-03-9E5-012B	0.30 [.012]
96-03-9E5-012C	0.38 [.015]
96-03-9E5-012D	0.51 [.020]

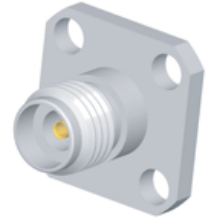
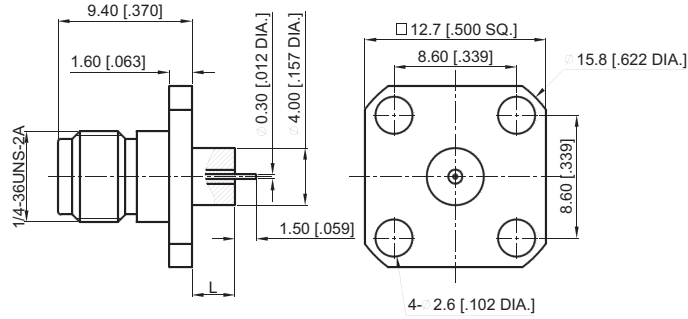


# RECEPTACLES, METAL THROUGH THE WALL

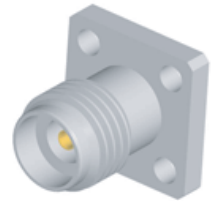
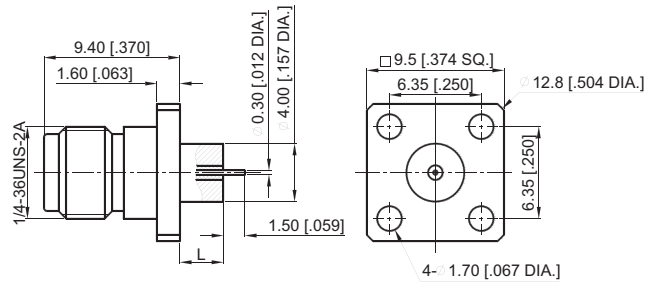


## Receptacles, jacks (female), Flange Mount

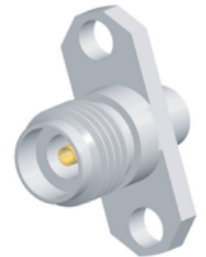
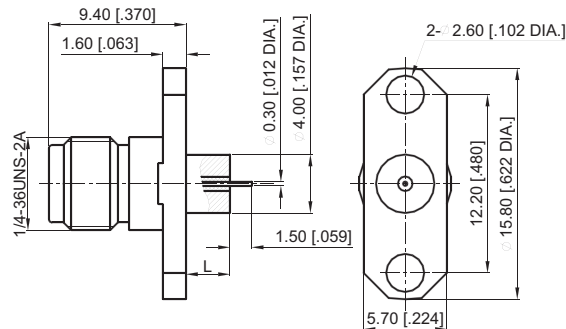
Part Number	L
96-02-9F2-013A	1.4 [.055]
96-02-9F2-013B	3 [.118]



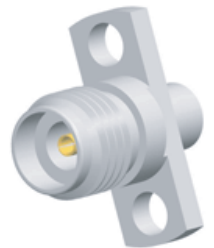
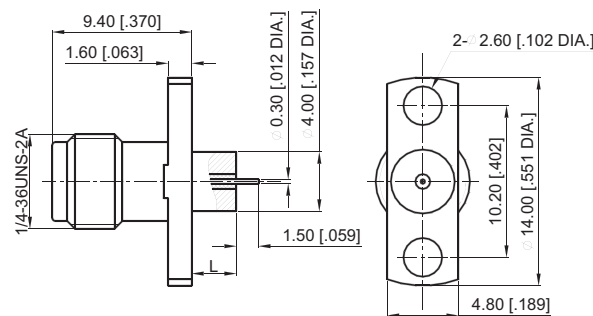
Part Number	L
96-02-9F2-014A	1.4 [.055]
96-02-9F2-014B	3 [.118]



Part Number	L
96-02-9E2-015A	1.4 [.055]
96-02-9E2-015B	3 [.118]



Part Number	L
96-02-9E2-016A	1.4 [.055]
96-02-9E2-016B	3 [.118]



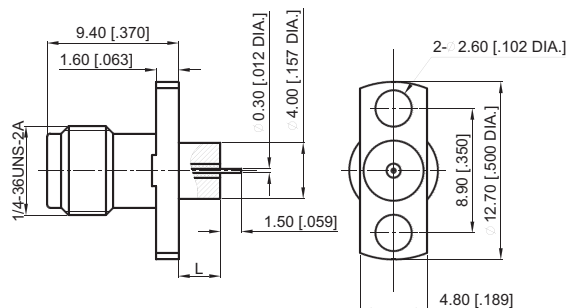
# RECEPTACLES, METAL THROUGH THE WALL



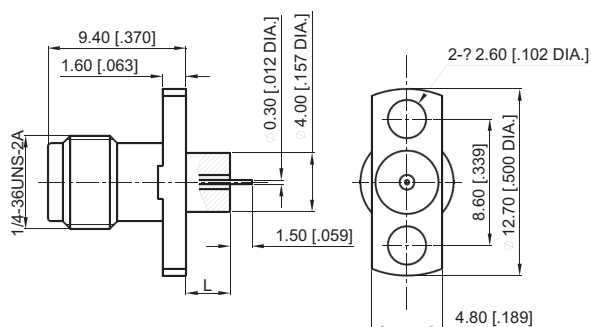
Receptacles, jacks (female), Flange Mount



Part Number	L
96-02-9E2-017A	1.4 [.055]
96-02-9E2-017B	3 [.118]



Part Number	L
96-02-9E2-018A	1.4 [.055]
96-02-9E2-018B	3 [.118]

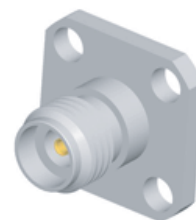
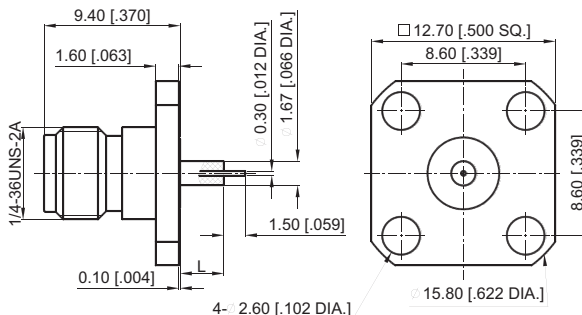


# RECEPTACLES, INSULATOR THROUGH THE WALL **CMP<sub>TER</sub>**<sup>®</sup>

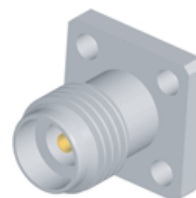
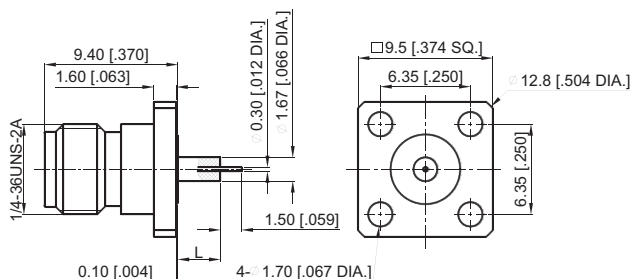
Receptacles, jacks (female), Flange Mount



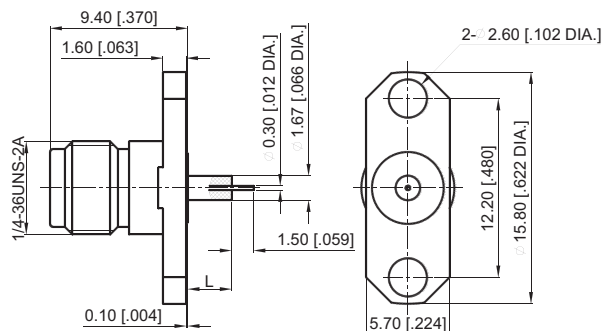
Part Number	L
96-02-9F7-019A	1.4 [.055]
96-02-9F7-019B	3 [.118]



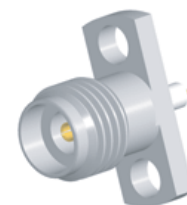
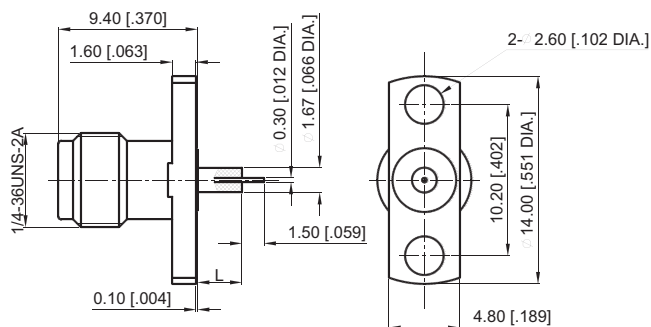
Part Number	L
96-02-9F7-020A	1.4 [.055]
96-02-9F7-020B	3 [.118]



Part Number	L
96-02-9E7-021A	1.4 [.055]
96-02-9E7-021B	3 [.118]



Part Number	L
96-02-9E7-022A	1.4 [.055]
96-02-9E7-022B	3 [.118]

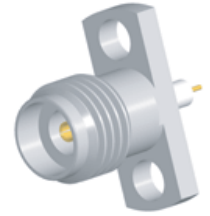
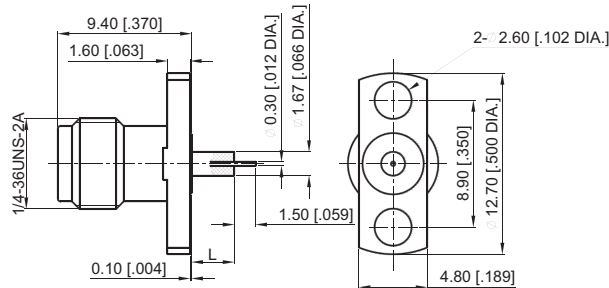


# RECEPTACLES, INSULATOR THROUGH THE WALL **CMP<sub>PT</sub>ER**<sup>®</sup>

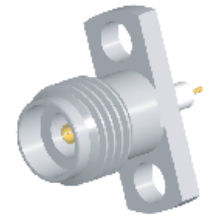
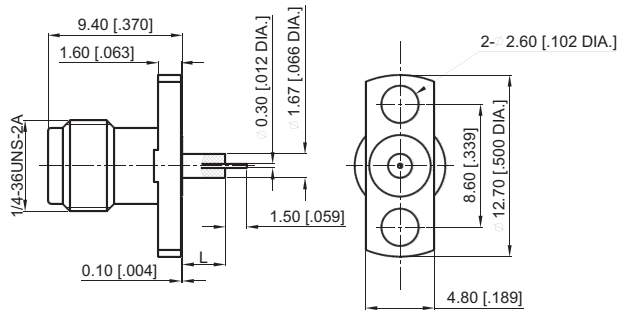
Receptacles, jacks (female), Flange Mount



Part Number	L
96-02-9E7-023A	1.4 [.055]
96-02-9E7-023B	3 [.118]



Part Number	L
96-02-9E7-024A	1.4 [.055]
96-02-9E7-024B	3 [.118]



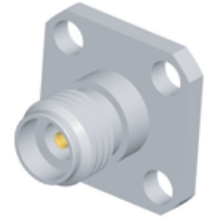
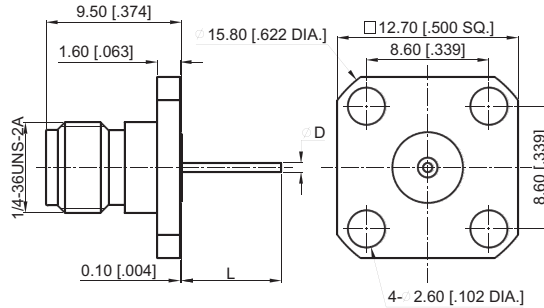
# RECEPTACLES, AIR LINE THROUGH THE WALL



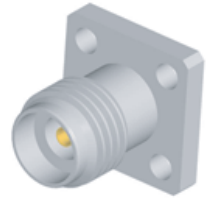
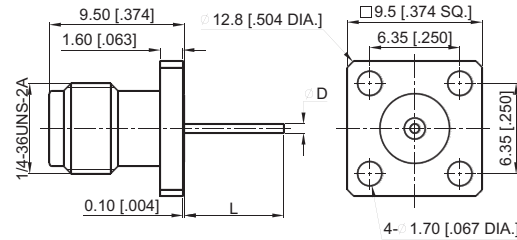
## Receptacles, jacks (female), Flange Mount



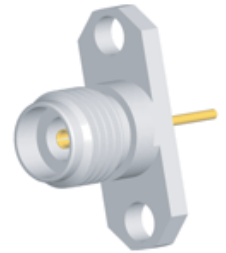
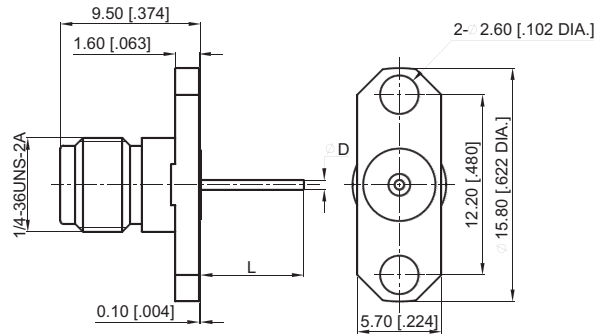
Part Number	∅ D	L
96-02-9F2-025A	0.64 [.025]	10.92 [.430]
96-02-9F2-025B	0.64 [.025]	6.84 [.269]
96-02-9F2-025C	0.30 [.012]	7 [.276]



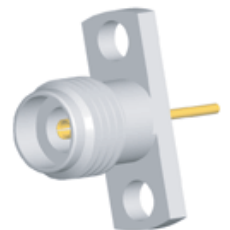
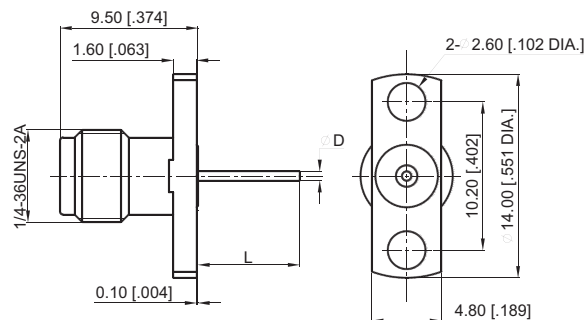
Part Number	∅ D	L
96-02-9F2-026A	0.64 [.025]	10.92 [.430]
96-02-9F2-026B	0.64 [.025]	6.84 [.269]
96-02-9F2-026C	0.30 [.012]	7 [.276]



Part Number	∅ D	L
96-02-9E2-027A	0.64 [.025]	10.92 [.430]
96-02-9E2-027B	0.64 [.025]	6.84 [.269]
96-02-9E2-027C	0.30 [.012]	7 [.276]



Part Number	∅ D	L
96-02-9E2-028A	0.64 [.025]	10.92 [.430]
96-02-9E2-028B	0.64 [.025]	6.84 [.269]
96-02-9E2-028C	0.30 [.012]	7 [.276]

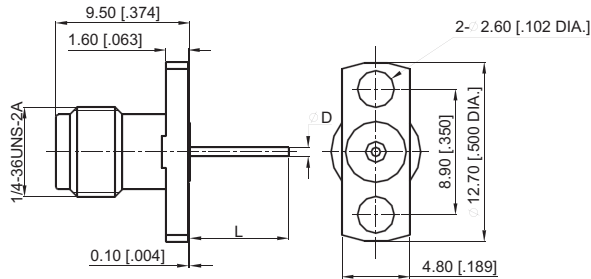


# RECEPTACLES, AIR LINE THROUGH THE WALL

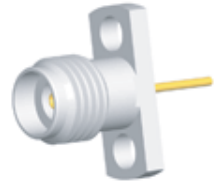
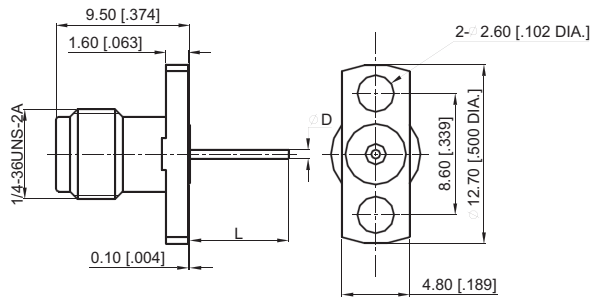


## Receptacles, jacks (female), Flange Mount

Part Number	∅ D	L
96-02-9E2-029A	0.64 [.025]	10.92 [.430]
96-02-9E2-029B	0.64 [.025]	6.84 [.269]
96-02-9E2-029C	0.30 [.012]	7 [.276]

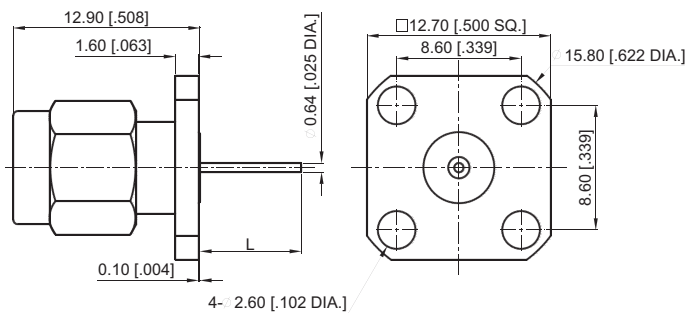


Part Number	∅ D	L
96-02-9E2-030A	0.64 [.025]	10.92 [.430]
96-02-9E2-030B	0.64 [.025]	6.84 [.269]
96-02-9E2-030C	0.30 [.012]	7 [.276]

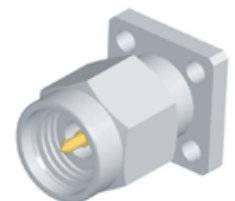
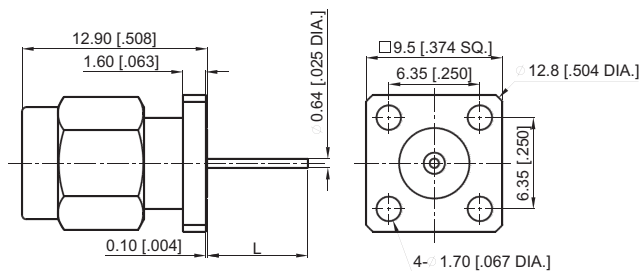


## Receptacles, plugs (male), Flange Mount

Part Number	L
96-03-9F2-031A	10.92 [.430]
96-03-9F2-031B	6.84 [.269]



Part Number	L
96-03-9F2-032A	10.92 [.430]
96-03-9F2-032B	6.84 [.269]

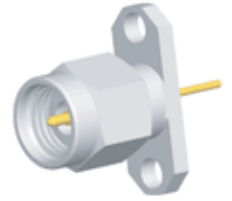
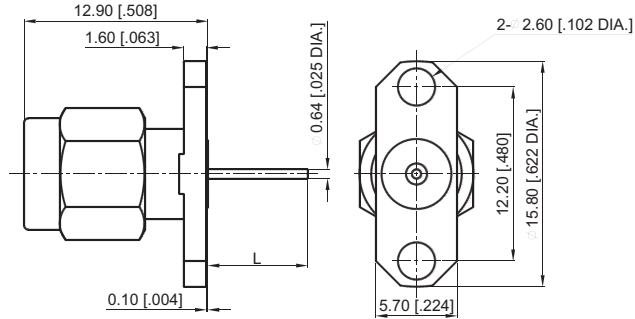


# RECEPTACLES, AIR LINE THROUGH THE WALL

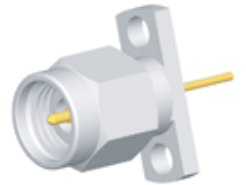
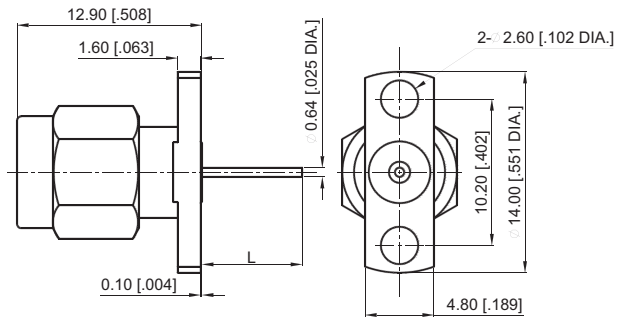


## Receptacles, plugs (Male), Flange Mount

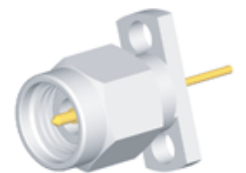
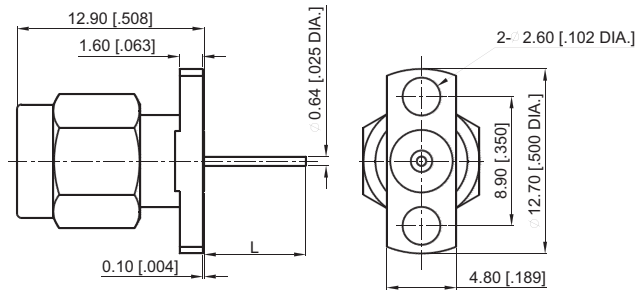
Part Number	L
96-03-9E2-033A	10.92 [.430]
96-03-9E2-033B	6.84 [.269]



Part Number	L
96-03-9E2-034A	10.92 [.430]
96-03-9E2-034B	6.84 [.269]



Part Number	L
96-03-9E2-035A	10.92 [.430]
96-03-9E2-035B	6.84 [.269]



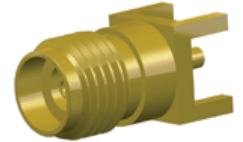
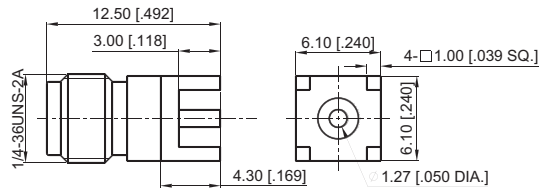
# PCB CONNECTORS



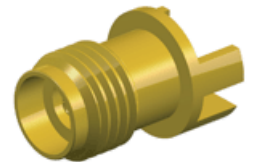
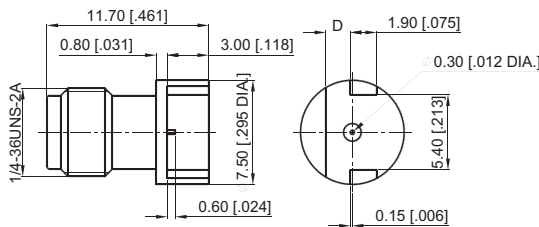
## Straight PCB jacks(female)



Part Number
96-02-5M2-036



Part Number	D	Board Thickness
96-02-5M2-037A	1.93 [.076]	1.78 [.070]
96-02-5M2-037B	0.76 [.030]	0.61 [.024]
96-02-5M2-037C	1.02 [.040]	0.87 [.034]



## Cmpter Electronics, Ltd.

Office Adress: #45 ZhongShan East Road,  
ZhenJiang, JiangSu China.  
Tel:+86 511 8443 6131  
Fax:+86 511 8502 5485  
Email: [sales@cmpter.com](mailto:sales@cmpter.com)  
Website: <http://www.cmpter.com>