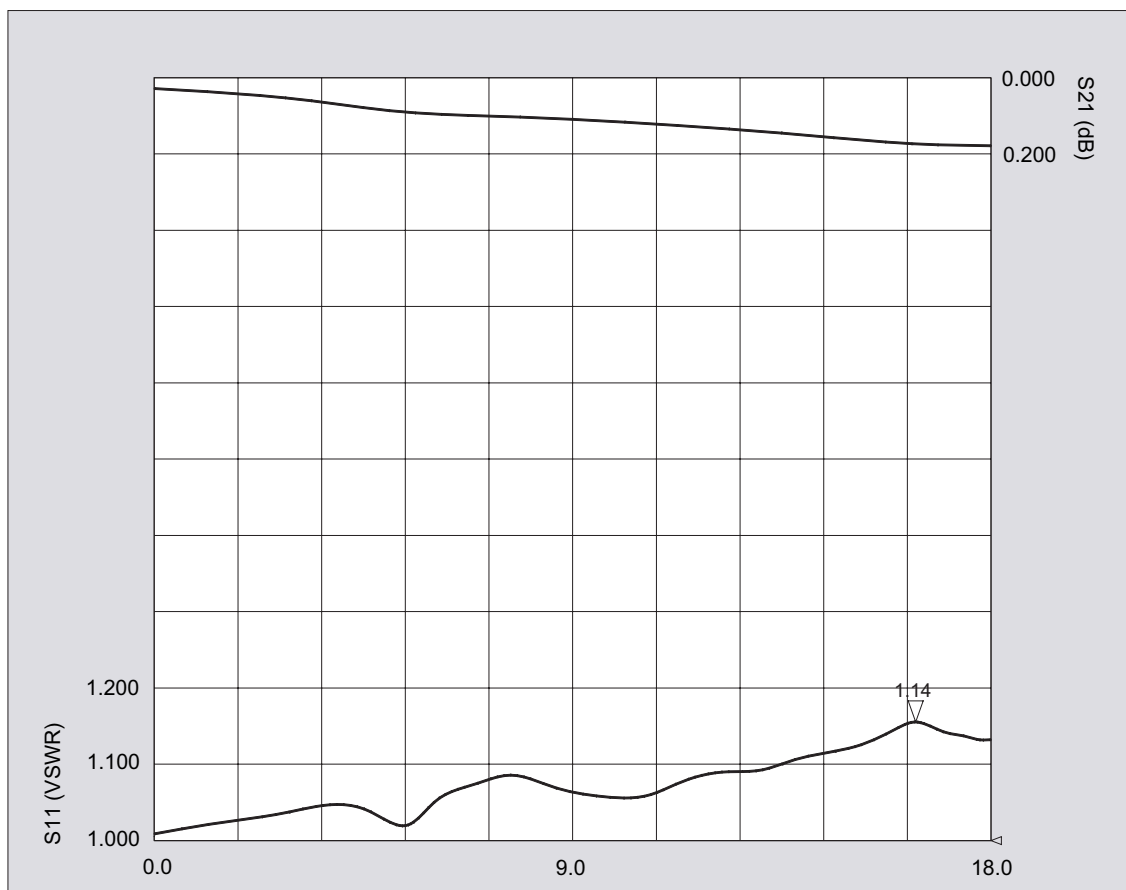
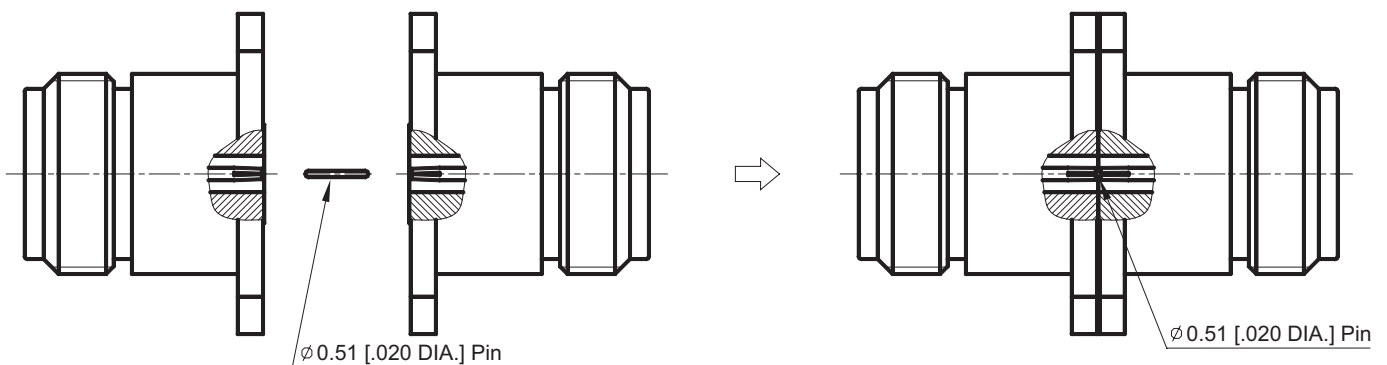


Typical Test Data for High Frequency N Back-to-Back Connector Testing

The N connector follows the MIL-C-39012 standard, defined by the US military. The N connector was developed to satisfy the need for durable, weatherproof, medium-size RF connector with consistent performance. The standard N is rated to 11GHz, the new High Frequency N is rated 18GHz.

Model No. 50-02-9F5-058B with .020" Test Pin



$\sqrt{1.14} = 1.07$ Maximum for each connector