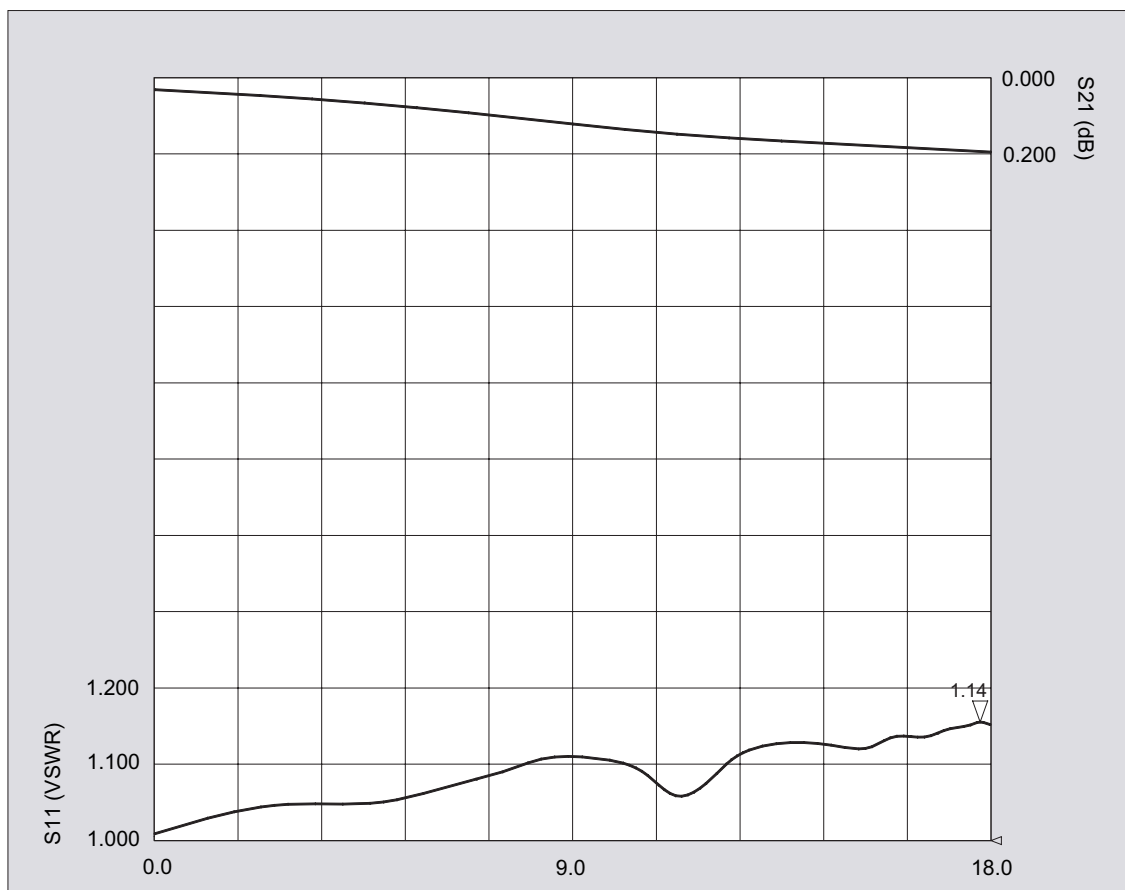
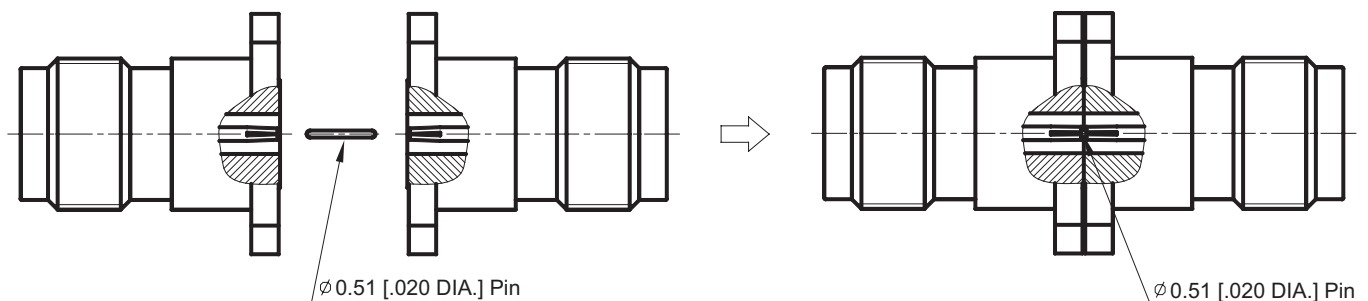


Typical Test Data for TNCA

Back-to-Back Connector Testing

The TNCA connector follows the MIL-STD-348A standard. The TNCA connector is 50Ω precision connector, it is designed with excellent characteristics over the full frequency range up to 18GHz while the standard TNC connector is rated to 11GHz. The TNCA connector is mechanically compatible with standard TNC connector.

Model No. 80-02-9F5-021B with .020" Test Pin



$\sqrt{1.14} = 1.07$ Maximum for each connector