

| REV | DESCRIPTION OF REVISION | ECN No. | BY | DATE | APPROVED |
|-----|-------------------------|---------|-------|----------|----------|
| A | INITIAL RELEASE | — | L. Ma | 06/27/07 | M. Dong |

TECHNICAL DATA

■ Electrical data

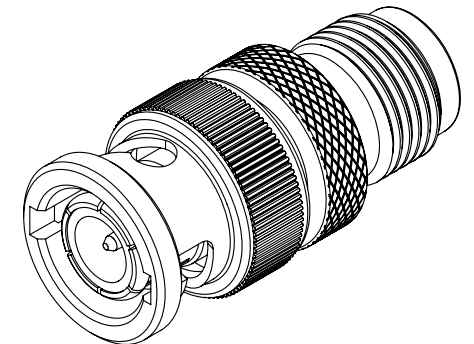
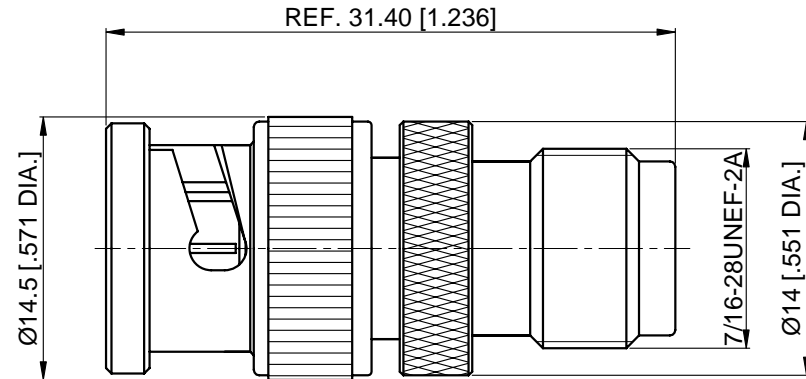
| | |
|-----------------------|-----------------------|
| Impedance | 50 Ω |
| Frequency range | 0~4 GHz |
| Insulation resistance | ≥5×10 ³ MΩ |
| Withstanding voltage | 1000 V |

■ Mechanical data

| | |
|----------------------|------------------|
| Temperature range | -65 °C ~ +165 °C |
| Durability (matings) | >500 |


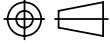
■ Material data

| | |
|--------------|------------------------------|
| Bodies | Brass, Nickel-plated |
| Pin Contact | Phosphor Bronze, Gold-plated |
| Coupling Nut | Brass, Nickel-plated |
| Insulator | PTFE |
| Gasket | Silicone Rubber |



NOTES:

- ALL SPECIFICATIONS ARE SUBJECT TO CHANGE WITHOUT NOTICE AT ANY TIME
- CUSTOMER OUTLINE DRAWING FOR REFERENCE ONLY

| | | | |
|--|--|---|--|
| DRAWN: L. Ma 06/27/07 ENGINEER: J. Zhu 06/27/07 APPROVED: M. Dong 06/27/07 | TITLE: Adapter, BNC Male to TNC Female |  www.cmptter.com | |
| TOLERANCE UNLESS OTHERWISE SPECIFIED X ±0.50 [.019"] .X ±0.20 [.008"] .XX ±0.10 [.004"] ANGLES ±1° | PART No.: A-BNCM-TNCF-021 |  DIMENSIONS IN MILLIMETERS (mm) | SIZE: A4 SCALE: 2.5:1 SHEET: 1/1 REV: A |