

REV	DESCRIPTION OF REVISION	ECN No.	BY	DATE	APPROVED
A	INITIAL RELEASE	—	L. Ma	04/11/07	M. Dong

TECHNICAL DATA

■ Electrical data

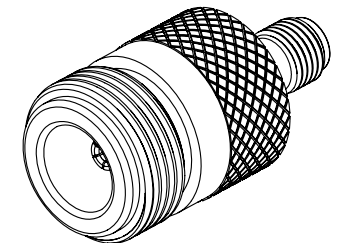
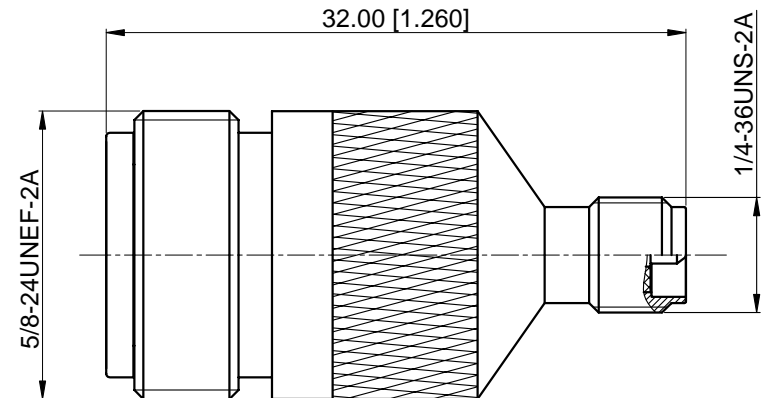
Impedance	50 Ω
Frequency range	0~11 GHz
Insulation resistance	$\geq 5 \times 10^3$ MΩ
Withstanding voltage	1000 V

■ Mechanical data

Temperature range	-65 °C ~ +165 °C
Durability (matings)	>500


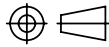
■ Material data

Bodies	Brass, Nickel-plated
Pin Contact	Phosphor Bronze, Gold-plated
Insulator	PTFE



NOTES:

- ALL SPECIFICATIONS ARE SUBJECT TO CHANGE WITHOUT NOTICE AT ANY TIME
- CUSTOMER OUTLINE DRAWING FOR REFERENCE ONLY

DRAWN: L. Ma 04/11/07 ENGINEER: J. Zhu 04/11/07 APPROVED: M. Dong 04/11/07 TOLERANCE UNLESS OTHERWISE SPECIFIED X ±0.50 [.019"] .X ±0.20 [.008"] .XX ±0.10 [.004"] ANGLES ±1°	TITLE: Adapter, N Female to RP SMA Female	 www.cmppter.com
PART No.: A-NF-RPSMAF-013	 DIMENSIONS IN MILLIMETERS (mm)	SIZE: A4 SCALE: 2.5:1 SHEET: 1/1 REV: A