

REV	DESCRIPTION OF REVISION	ECN No.	BY	DATE	APPROVED
A	INITIAL RELEASE	—	L. Ma	04/05/07	M. Dong

TECHNICAL DATA

Electrical data

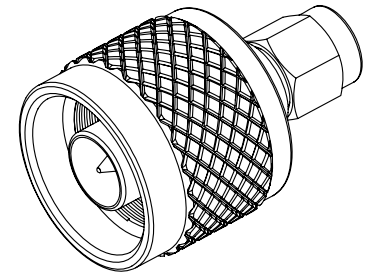
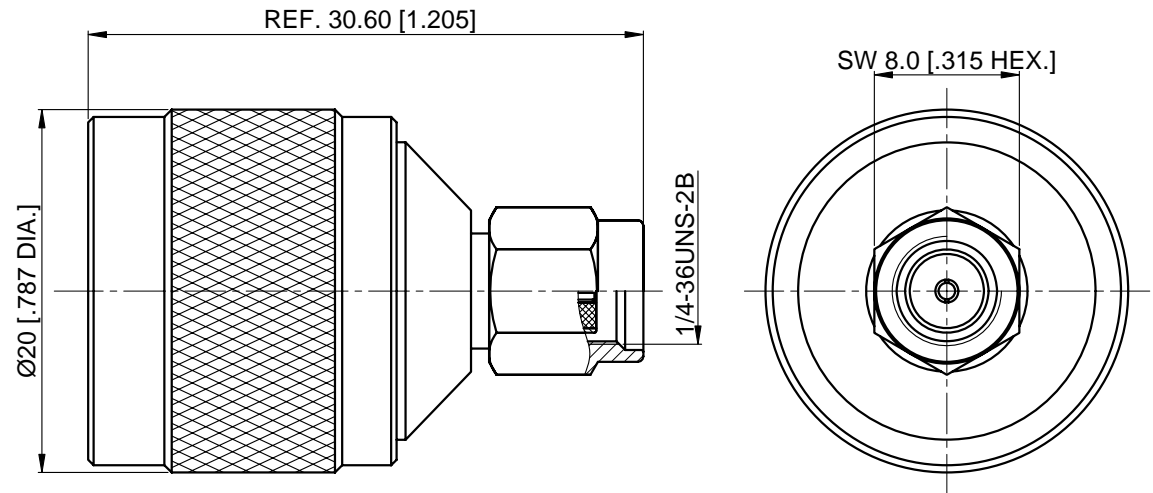
Impedance	50 Ω
Frequency range	0~11 GHz
Insulation resistance	≥5×10 ³ MΩ
Withstanding voltage	1000 V

Mechanical data

Temperature range	-65 °C ~ +165 °C
Durability (matings)	>500


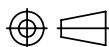
Material data

Bodies	Brass, Nickel-plated
Pin Contact	Beryllium Copper Alloy, Gold-plated
Coupling Nut	Brass, Nickel-plated
Insulator	PTFE
Gasket	Silicone rubber



NOTES:

- ALL SPECIFICATIONS ARE SUBJECT TO CHANGE WITHOUT NOTICE AT ANY TIME
- CUSTOMER OUTLINE DRAWING FOR REFERENCE ONLY

DRAWN: L. Ma 04/05/07	TITLE:	 www.cmptter.com
ENGINEER: J. Zhu 04/05/07	Adapter, N Male to RP SMA Male	
APPROVED: M. Dong 04/05/07		 DIMENSIONS IN MILLIMETERS (mm)
TOLERANCE UNLESS OTHERWISE SPECIFIED	PART No.: A-NM-RPSMAM-011	SIZE: A4 SCALE: 2.5:1 SHEET: 1/1 REV: A
X ±0.50 [.019"] .X ±0.20 [.008"] .XX ±0.10 [.004"] ANGLES ±1°		