

REV	DESCRIPTION OF REVISION	ECN No.	BY	DATE	APPROVED
A	INITIAL RELEASE	—	L. Ma	05/12/10	M. Dong

## TECHNICAL DATA

### Electrical data

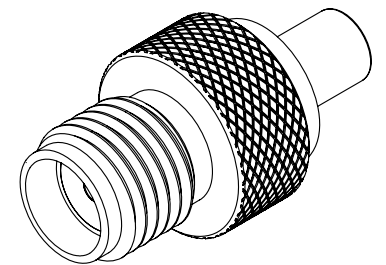
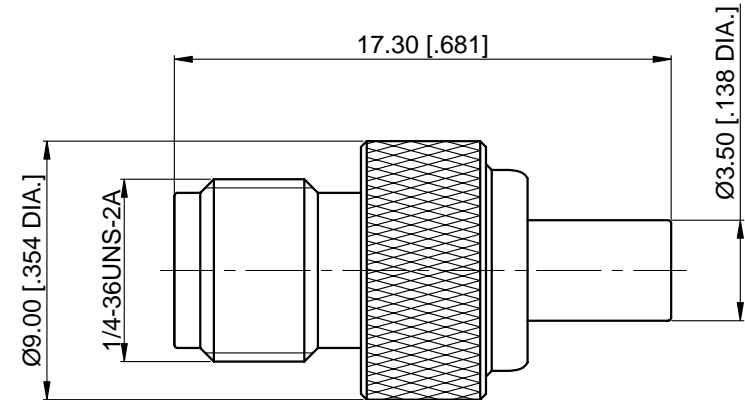
Impedance	50 $\Omega$
Frequency range	0~6 GHz
Insulation resistance	$\geq 1 \times 10^3$ M $\Omega$
Withstanding voltage	250 V

### Mechanical data

Temperature range	-55 °C ~ +155 °C
Durability (matings)	>500


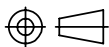
### Material data

Bodies	Brass, Gold-plated
Pin Contact	Copper beryllium alloy, Gold-plated
Insulator	PTFE



#### NOTES:

- ALL SPECIFICATIONS ARE SUBJECT TO CHANGE WITHOUT NOTICE AT ANY TIME
- CUSTOMER OUTLINE DRAWING FOR REFERENCE ONLY

DRAWN: L. Ma 05/12/10	TITLE:	 <a href="http://www.cmp ter.com">www.cmp ter.com</a>			
ENGINEER: J. Zhu 05/12/10	Adapter, SMA Female to MMCX Female				
APPROVED: M. Dong 05/12/10		 DIMENSIONS IN MILLIMETERS (mm)			
TOLERANCE UNLESS OTHERWISE SPECIFIED	PART No.: A-SMAF-MMCXF-017				
X ±0.50 [.019"]					
.X ±0.20 [.008"]					
.XX ±0.10 [.004"]					
ANGLES ±1°					