

REV	DESCRIPTION OF REVISION	ECN No.	BY	DATE	APPROVED
A	INITIAL RELEASE	—	L. Ma	08/13/08	M. Dong

## TECHNICAL DATA

### ■ Electrical data

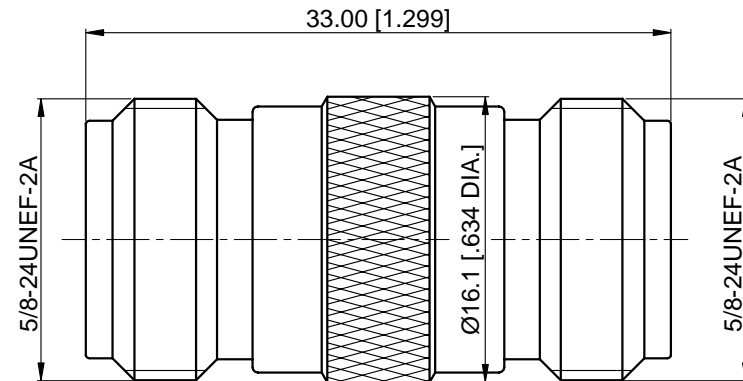
Impedance	50 Ω
Frequency range	0~11 GHz
Insulation resistance	≥5x10 <sup>3</sup> MΩ
Withstanding voltage	2500 V

### ■ Mechanical data

Temperature range	-65 °C ~ +165 °C
Durability (matings)	>500


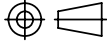
### ■ Material data

Bodies	Brass, Nickel-plated
Pin Contact	Phosphor Bronze, Silver-plated
Insulator	PTFE



#### NOTES:

- ALL SPECIFICATIONS ARE SUBJECT TO CHANGE WITHOUT NOTICE AT ANY TIME
- CUSTOMER OUTLINE DRAWING FOR REFERENCE ONLY

DRAWN: L. Ma 08/13/08	TITLE:	 <a href="http://www.cmppter.com">www.cmppter.com</a>
ENGINEER: J. Zhu 08/13/08	Adapter, N Female to N Female	
APPROVED: M. Dong 08/13/08		
TOLERANCE UNLESS OTHERWISE SPECIFIED		 DIMENSIONS IN MILLIMETERS (mm)
X ±0.50 [.019"] .X ±0.20 [.008"] .XX ±0.10 [.004"] ANGLES ±1°	PART No.: A-NF-NF-047	SIZE: A4 SCALE: 2.5:1 SHEET: 1/1 REV: A