

REV	DESCRIPTION OF REVISION	ECN No.	BY	DATE	APPROVED
A	INITIAL RELEASE	—	L. Ma	09/21/10	M. Dong

## TECHNICAL DATA

### Electrical data

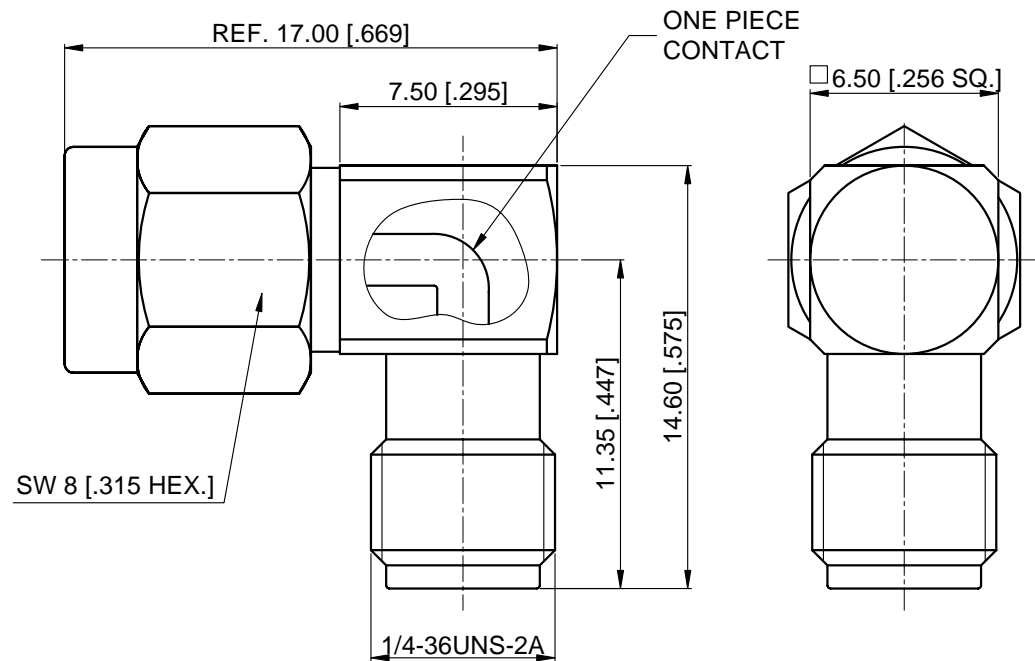
Impedance	50 Ω
Frequency range	0~18 GHz
Insulation resistance	$\geq 5 \times 10^3 \text{ M}\Omega$
Withstanding voltage	1000 V

### Mechanical data

Temperature range	-65 °C ~ +165 °C
Durability (matings)	>500


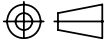
### Material data

Bodies	Brass, Gold-plated
Pin Contact	Copper beryllium alloy, Gold-plated
Coupling Nut	Brass, Gold-plated
Insulator	PTFE
Gasket	Silicone rubber



### NOTES:

- ALL SPECIFICATIONS ARE SUBJECT TO CHANGE WITHOUT NOTICE AT ANY TIME
- CUSTOMER OUTLINE DRAWING FOR REFERENCE ONLY
- A TORQUE WRENCH BE REQUIRED WHEN COUPLING THE CONNECTOR, THE MAXIMAL COUPLING NUT TORQUE IS 1.1Nm [9.7in·lb]

DRAWN: L. Ma 09/21/10	TITLE:	 <a href="http://www.cmppter.com">www.cmppter.com</a>			
ENGINEER: J. Zhu 09/21/10	Adapter, Right Angle, SMA Male to SMA Female				
APPROVED: M. Dong 09/21/10		 DIMENSIONS IN MILLIMETERS (mm)			
TOLERANCE UNLESS OTHERWISE SPECIFIED	PART No.: AR-SMAM-SMAF-046				SIZE: A4
X ±0.50 [.019"]					
.X ±0.20 [.008"]					
.XX ±0.10 [.004"]					
ANGLES ±1°					