

TECHNICAL DATA

Electrical data

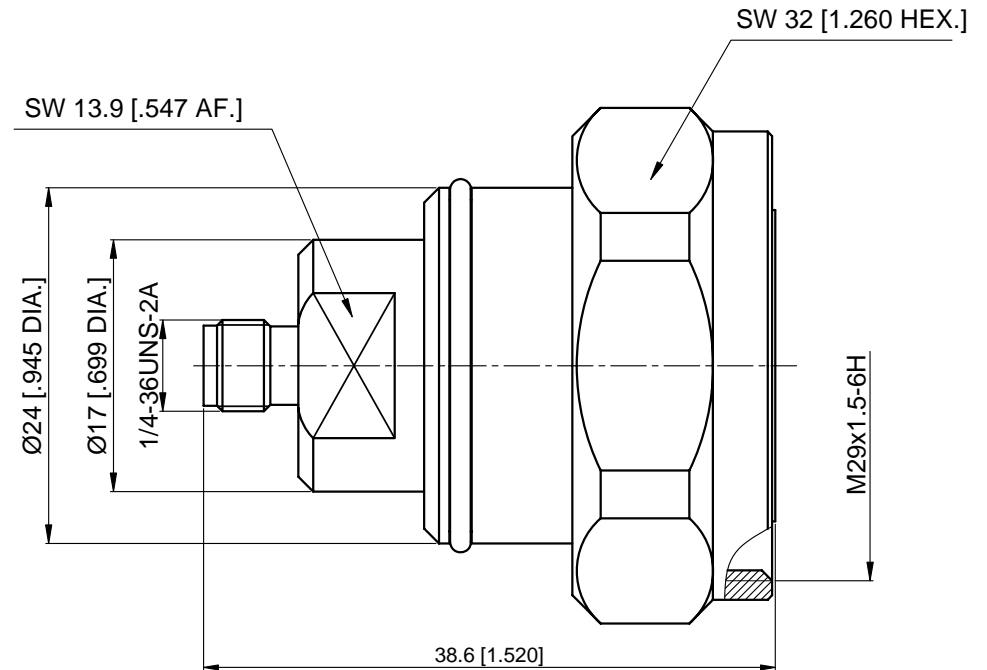
Impedance	50 Ω
Frequency range	0~6 GHz
VSWR	1.25:1
Insulation resistance	$\geq 5 \times 10^3$ M Ω
Withstanding voltage	1000 V

Mechanical data

Temperature range	-40 °C ~ +85 °C
Durability (matings)	>500

Material data

Bodies	Brass, Albaloy-plated
Pin Contact	Copper beryllium alloy, Gold-plated
Insulator	PTFE
Gasket	Silicone rubber



				Drawn: L. Ma 08/12/09
				Checked: J. Zhu 08/12/09
Description	Ecn.No	Date	Rev	Approved: M. Dong 08/12/09
NOTES:				Tolerance Unless Otherwise Specified
1. ALL SPECIFICATIONS ARE SUBJECT TO CHANGE WITHOUT NOTICE AT ANY TIME				X ±0.50 [.019"]
2. CUSTOMER OUTLINE DRAWING FOR REFERENCE ONLY				.X ±0.20 [.008"]
				.XX ±0.10 [.004"]
				ANGLES ±1°

CMPPTER[®]

www.cmppter.com

Title: Adapter, SMA Female to 7/16 Male

Dimension in millimeter [mm]

Part No:
AD-SMAF-716M

Size:
A4

Scale:
2:1

Sheet:
1/1

Rev:
A