

Coaxial Adapters

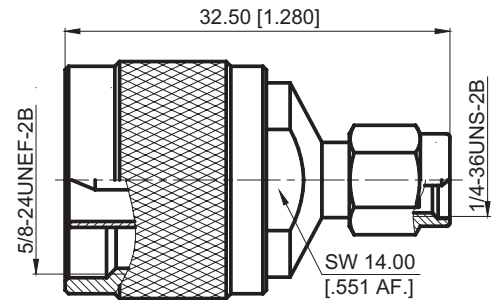


High Performance Coaxial Adapter

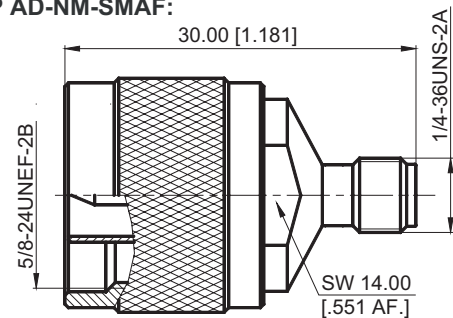
— Adapter, SMA to Type N



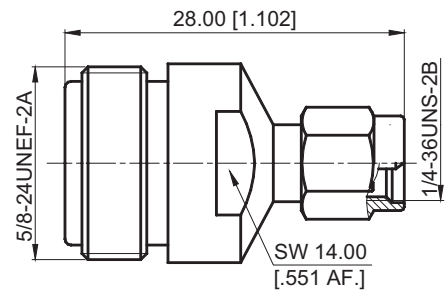
PHYSICAL DIMENSIONS: CMP AD-NM-SMAM:



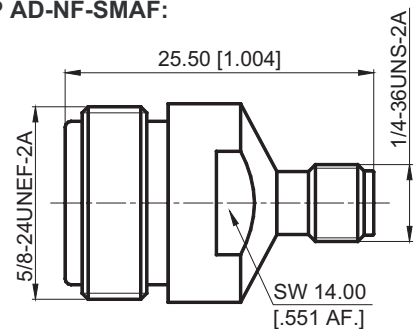
CMP AD-NM-SMAF:



CMP AD-NF-SMAM:



CMP AD-NF-SMAF:



TECHNICAL DATA

Electrical data

Impedance	50 Ω
Frequency range	0~11 GHz
VSWR	≤1.3
Insulation resistance	≥5x10 ³ MΩ
Withstanding voltage	1000 V

Mechanical data

Temperature range	-40 °C ~ +85 °C
Durability (matings)	>500

Material data

Bodies	Brass, Nickel-plated
Pin Contact	Copper beryllium alloy /Brass, Gold-plated
Insulator	PTFE
Gasket	Silicone rubber

Connectors : Type N and SMA connectors per MIL-STD-348 interface dimensions - mate nondestructively with MIL-C-39012 connectors.

NOTE:

1. ALL SPECIFICATIONS ARE SUBJECT TO CHANGE WITHOUT NOTICE AT ANY TIME
2. CUSTOMER OUTLINE DRAWING FOR REFERENCE ONLY