

# TECHNICAL DATA

## Electrical

Impedance	50 Ω
Frequency range	0~3 GHz
Withstanding voltage	250 V
Insulation resistance	≥1000MΩ

## Mechanical & Environmental

Durability (matings)	>500
Temperature range	-55 °C ~ +155 °C
RoHS Compliant	Yes

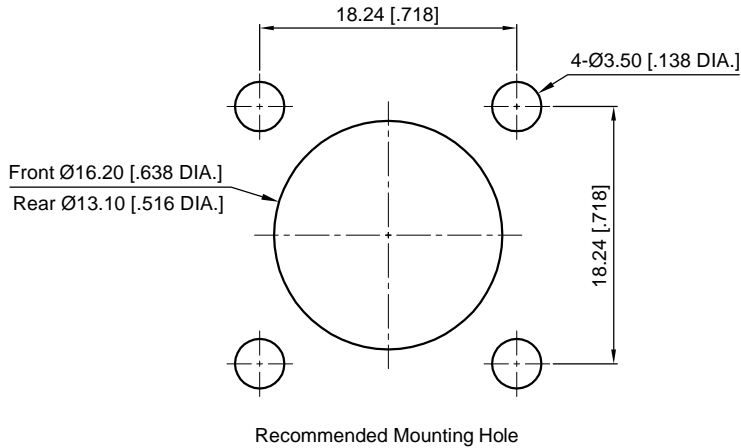
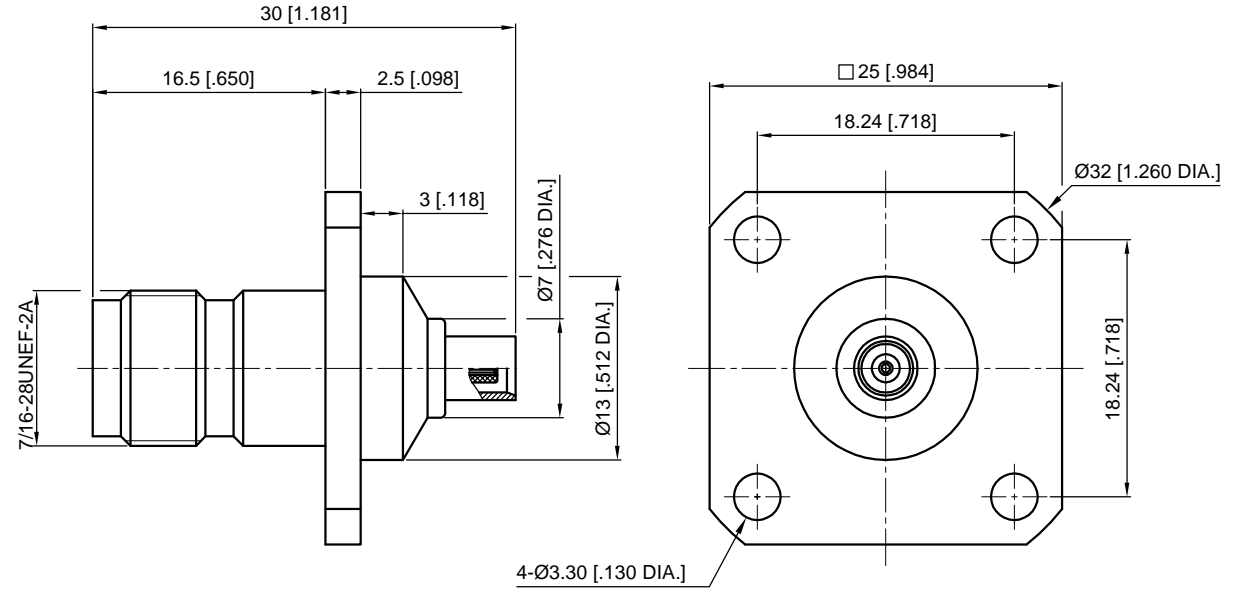
## Material & Finish

Body	Brass, Nickel-plated
Pin Contact	Beryllium Copper Alloy, Gold-plated
Insulator	PTFE

## Interface Standards

TNC	MIL-STD-348A
MCX	MIL-STD-348A

REVISIONS				
REV	DESCRIPTION OF REVISION	ECN No.	DATE	APPROVED
A	INITIAL RELEASE	---	11/03/2018	M. Dong
B	DIMESNSIONS CHANGED	---	11/03/2018	M. Dong



- NOTES:
- ALL SPECIFICATIONS ARE SUBJECT TO CHANGE WITHOUT NOTICE AT ANY TIME
  - UNLESS OTHERWISE SPECIFIED ALL DIMENSIONS ARE NOMINAL.

UNLESS OTHERWISE SPECIFIED, DIMENSIONS ARE IN MILLIMETERS (INCHES). UNLESS OTHERWISE SPECIFIED DIMENSIONAL TOLERANCES ARE: .XX ±0.13 [.005"] X ±0.20 [.008"] X ±0.50 [.019"] ANGULAR TOLERANCES ARE: ALL= ±1°	DRAWN: L. Ma 11/03/2018
DO NOT SCALE DRAWING	CHECKED: J. Zhu 11/03/2018
PROJECTION:	APPROVED: M. Dong 11/03/2018

TITLE:	Adapter, TNC Female to MCX Female, 4 Hole Flange
--------	--



Cmppter Electronics Co., Ltd. [www.cmppter.com](http://www.cmppter.com)

PART No.:  
**A-TNCF-MCXF-350**

SIZE: A4	SCALE: 2:1	SHEET: 1/1	REV: B
----------	------------	------------	--------