

REVISIONS				
REV	DESCRIPTION OF REVISION	ECN No.	DATE	APPROVED
A	INITIAL RELEASE	---	09/25/2012	M. Dong

### TECHNICAL DATA

#### Electrical

Impedance 50 Ω  
 Frequency range 0~65 GHz  
 VSWR 1.25:1

#### Mechanical & Environmental

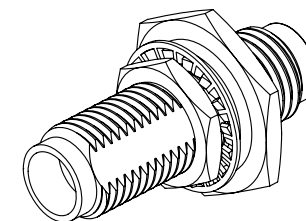
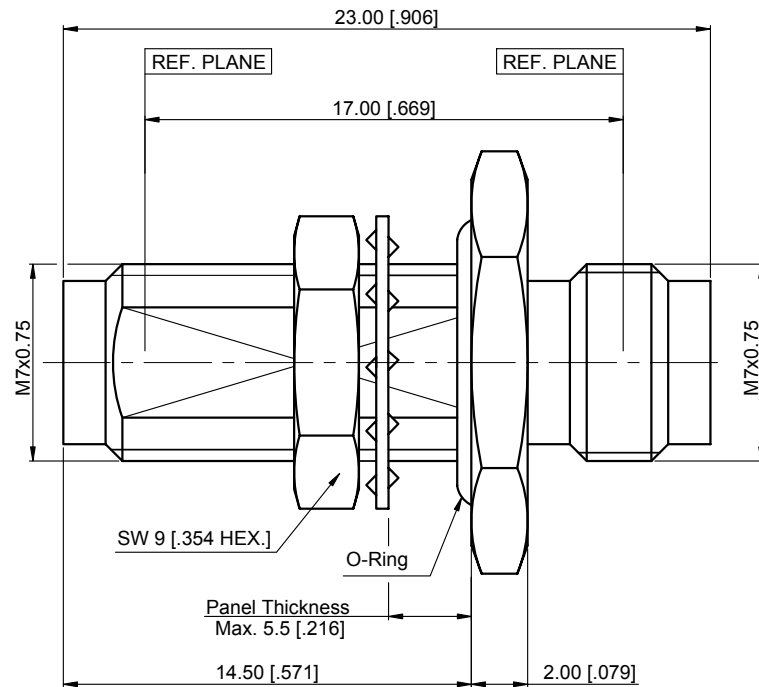
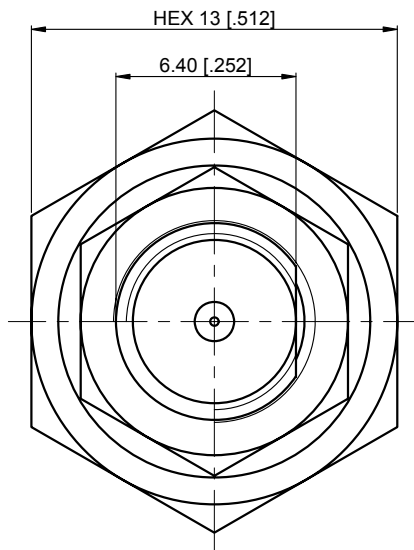
Durability (matings) >500  
 Temperature range -55 °C ~ +165 °C  
 RoHS Compliant Yes

#### Material & Finish

Body Stainless Steel (SU303), Passivated  
 Pin Contact Beryllium Copper Alloy, Gold-plated  
 Insulator PEI  
 O-Ring Silicone Rubber

#### Interface Standards

1.85mm IEC-61169



UNLESS OTHERWISE SPECIFIED, DIMENSIONS ARE IN MILLIMETERS (INCHES).  
 UNLESS OTHERWISE SPECIFIED DIMENSIONAL TOLERANCES ARE:

XX	±0.13 [0.005"]
X	±0.20 [0.008"]
X	±0.50 [0.019"]

ANGULAR TOLERANCES ARE: ALL±1°

DO NOT SCALE DRAWING

PROJECTION:

DRAWN:	W. Shen	09/25/2012
CHECKED:	K. Liu	09/25/2012
APPROVED:	M. Dong	09/25/2012
TITLE:		
Precision Adapter, 1.85mm Waterproof Bulkhead Female to 1.85mm Female		

Cmpter Electronics Co., Ltd. <a href="http://www.cmpter.com">www.cmpter.com</a>			
PART No.:			
P-1.85F-1.85F-226			
SIZE:	SCALE:	SHEET:	REV:
A4	4:1	1/1	A

#### NOTES:

- ALL SPECIFICATIONS ARE SUBJECT TO CHANGE WITHOUT NOTICE AT ANY TIME
- UNLESS OTHERWISE SPECIFIED ALL DIMENSIONS ARE NOMINAL.