

REV	DESCRIPTION OF REVISION	ECN No.	BY	DATE	APPROVED
A	INITIAL RELEASE	—	L. Ma	11/18/11	M. Dong

TECHNICAL DATA

Electrical data

Impedance	50 Ω
Frequency range	0~65 GHz
VSWR	1.25:1

Mechanical data

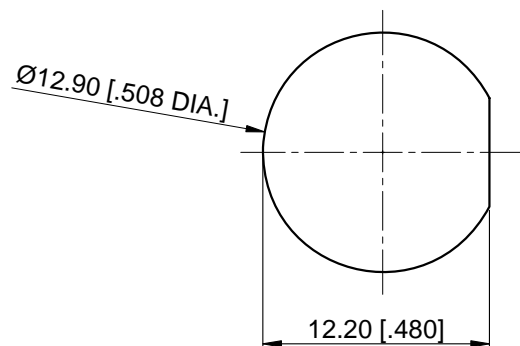
Temperature range	-55 °C ~ +165 °C
Durability (matings)	>500

Material data

Body	Stainless Steel (SU303), Passivated
Pin Contact	Beryllium Copper Alloy, Gold-plated
Insulator	PEI

Interface Standards

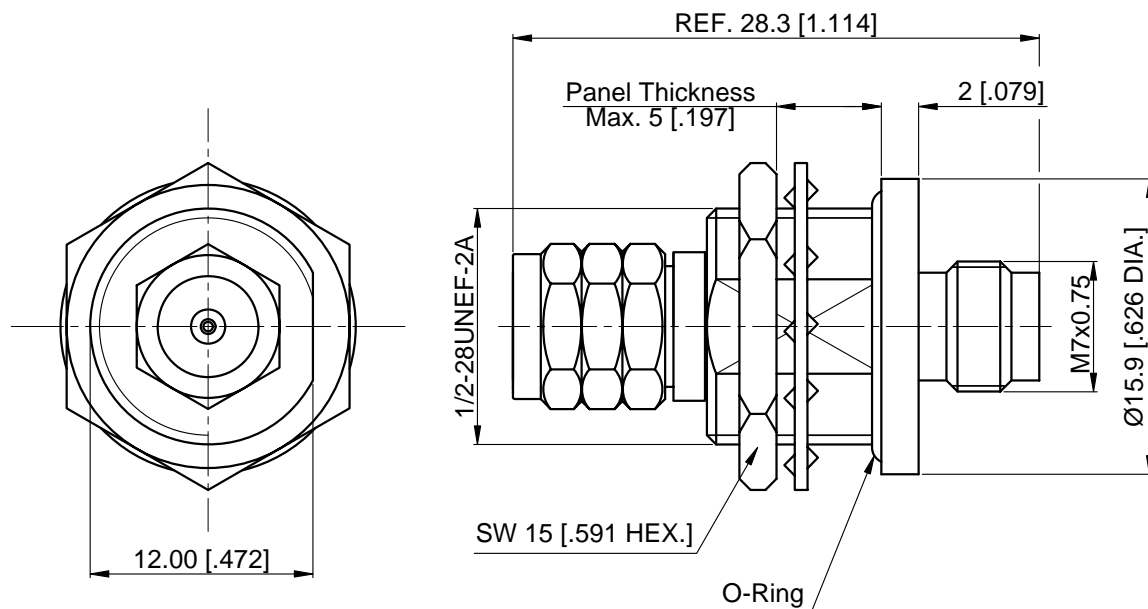
1.85mm	IEC-61169
--------	-----------


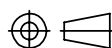


Recommended Mounting Hole

NOTES:

- ALL SPECIFICATIONS ARE SUBJECT TO CHANGE WITHOUT NOTICE AT ANY TIME
- CUSTOMER OUTLINE DRAWING FOR REFERENCE ONLY



DRAWN: L. Ma 11/18/11	TITLE:	 www.cmppter.com			
ENGINEER: J. Zhu 11/18/11	Precision Adapter, 1.85mm Straight Waterproof Bulkhead Male to 1.85mm Female				
APPROVED: M. Dong 11/18/11		 DIMENSIONS IN MILLIMETERS (mm)			
TOLERANCE UNLESS OTHERWISE SPECIFIED					
X ±0.50 [.019"]	PART No.: P-1.85M-1.85F-225	SIZE: A4	SCALE: 4:1	SHEET: 1/1	REV: A
.X ±0.20 [.008"]					
.XX ±0.10 [.004"]					
ANGLES ±1°					