

TECHNICAL DATA

Electrical

Impedance 50 Ω
 Frequency range 0~67 GHz
 VSWR 1.25:1

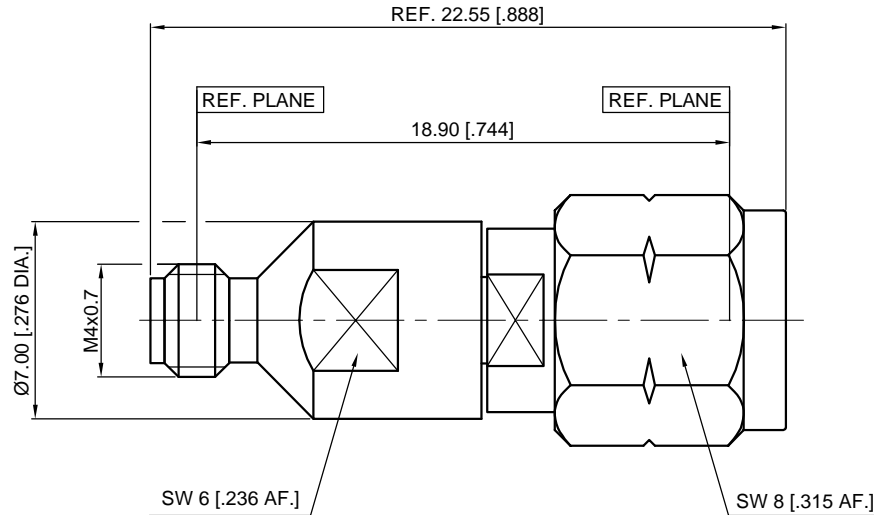
Mechanical & Environmental

Durability (matings) >500
 Temperature range -55 °C ~ +80 °C
 RoHS Compliant Yes

Material & Finish

Body Stainless Steel (SU303), Passivated
 Pin Contact Beryllium Copper Alloy, Gold-plated
 Insulator PEI

REVISIONS				
REV	DESCRIPTION OF REVISION	ECN No.	DATE	APPROVED
A	INITIAL RELEASE	—	09/26/2019	M. Dong



- NOTES:
- ALL SPECIFICATIONS ARE SUBJECT TO CHANGE WITHOUT NOTICE AT ANY TIME
 - UNLESS OTHERWISE SPECIFIED ALL DIMENSIONS ARE NOMINAL.

UNLESS OTHERWISE SPECIFIED, DIMENSIONS ARE IN MILLIMETERS [INCHES]. UNLESS OTHERWISE SPECIFIED DIMENSIONAL TOLERANCES ARE: .XX ±0.13 [0.005] X ±0.20 [0.008] X ±0.50 [0.019] ANGULAR TOLERANCES ARE: ALL= ±1° DO NOT SCALE DRAWING PROJECTION:

DRAWN:	L. Ma	09/26/2019
CHECKED:	K. Liu	09/26/2019
APPROVED:	M. Dong	09/26/2019

TITLE:
**Precision Adapter, 1.0mm
 Female to 1.85mm Male**



Cmptter Electronics Co., Ltd. www.cmptter.com

PART No.:			
P-1.0F-1.85M-377			
SIZE:	SCALE:	SHEET:	REV:
A4	4:1	1/1	A