

TECHNICAL DATA

Electrical

Impedance 50 Ω
 Frequency range 0~110 GHz
 VSWR 1.30:1

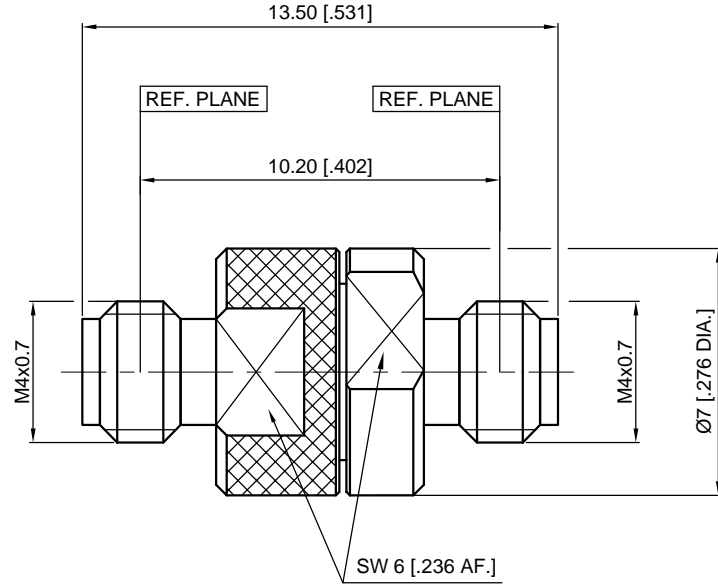
Mechanical & Environmental

Durability (matings) >500
 Temperature range -55 °C ~ +80 °C
 RoHS Compliant Yes

Material & Finish

Body Beryllium Copper Alloy, Gold-plated
 Pin Contact Beryllium Copper Alloy, Gold-plated
 Insulator CPS

REVISIONS				
REV	DESCRIPTION OF REVISION	ECN No.	DATE	APPROVED
A	INITIAL RELEASE	---	08/14/2020	M. Dong
B	DIMENSIONS CHANGED	---	08/24/2020	M. Dong
C	DIMENSIONS CHANGED	---	10/20/2021	M. Dong



- NOTES:
- ALL SPECIFICATIONS ARE SUBJECT TO CHANGE WITHOUT NOTICE AT ANY TIME
 - UNLESS OTHERWISE SPECIFIED ALL DIMENSIONS ARE NOMINAL.

UNLESS OTHERWISE SPECIFIED, DIMENSIONS ARE IN MILLIMETERS [INCHES]. UNLESS OTHERWISE SPECIFIED DIMENSIONAL TOLERANCES ARE: .XX ±0.13 [0.005"] X ±0.20 [0.008"] X ±0.50 [0.019"] ANGULAR TOLERANCES ARE: ALL=±1° DO NOT SCALE DRAWING PROJECTION:	DRAWN:	W. Shen	10/20/2021
	CHECKED:	K. Liu	10/20/2021
	APPROVED:	M. Dong	10/20/2021
	TITLE:	Precision Adapter, 1.0mm Female to 1.0mm Female	

CMPPTER®
 Cmppter Electronics Co., Ltd. www.cmppter.com

PART No.:
P-1.0F-1.0F-406

SIZE: A4	SCALE: 5:1	SHEET: 1/1	REV: C
----------	------------	------------	--------