

REV	DESCRIPTION OF REVISION	ECN No.	BY	DATE	APPROVED
A	INITIAL RELEASE	—	H. Xiao	04/21/11	M. Dong

## TECHNICAL DATA

### Electrical data

Impedance	50 Ω
Frequency range	0~40 GHz
VSWR	1.15:1
Contact resistance	
-centre contact	≤3mΩ
-outer contact	≤2mΩ
Insulation resistance	≥3000MΩ

### Mechanical data

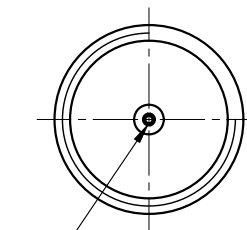
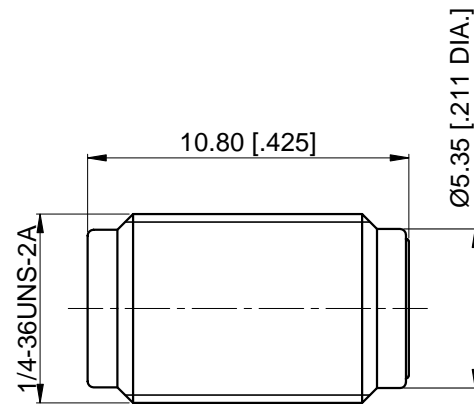
Temperature range	-55 °C ~ +165 °C
Durability (matings)	>500

### Material data

Body	Stainless Steel (SU303), Passivated
Pin Contact	Beryllium Copper Alloy, Gold-plated
Insulator	PEI

### Interface Standards


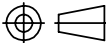
2.92mm	MIL-STD-348A
--------	--------------



SOCKET TO ACCEPT Ø0.457 [.018" DIA.] PIN  
2 [.079] MAX DEPTH

#### NOTES:

- ALL SPECIFICATIONS ARE SUBJECT TO CHANGE WITHOUT NOTICE AT ANY TIME
- CUSTOMER OUTLINE DRAWING FOR REFERENCE ONLY

DRAWN: H. Xiao 04/21/11	TITLE:	 www.cmppter.com
ENGINEER: YF. Zhu 04/21/11	2.92mm Straight Female, Bulkhead Thread in	
APPROVED: M. Dong 04/21/11		
TOLERANCE UNLESS OTHERWISE SPECIFIED		 DIMENSIONS IN MILLIMETERS (mm)
X ±0.50 [.019"] .X ±0.20 [.008"] .XX ±0.10 [.004"] ANGLES ±1°	PART No.: 96-02-9A5-007E	SIZE: A4 SCALE: 4:1 SHEET: 1/1 REV: A