

REVISIONS

REV	DESCRIPTION OF REVISION	ECN No.	DATE	APPROVED
A	INITIAL RELEASE		10/26/2018	M. Dong

TECHNICAL DATA

Electrical

Impedance 50 Ω
 Frequency range 0~3 GHz
 Voltage Rating 170 V rms
 Insulation resistance ≥1000MΩ

Mechanical & Environmental

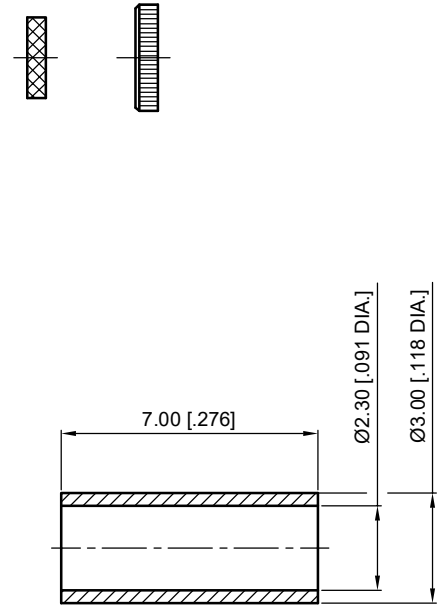
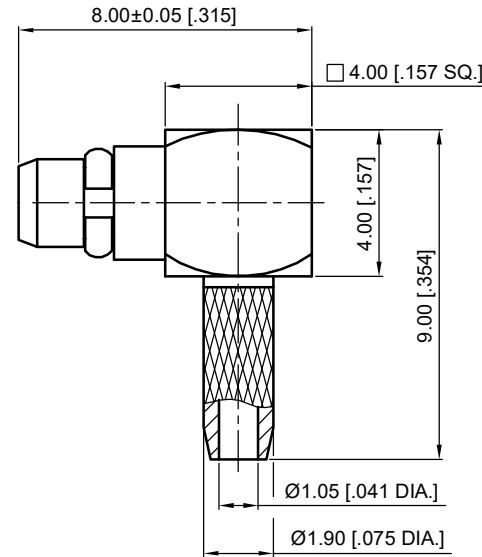
Durability (matings) >500
 Temperature range -55 °C ~ +165 °C
 RoHS Compliant Yes

Material & Finish

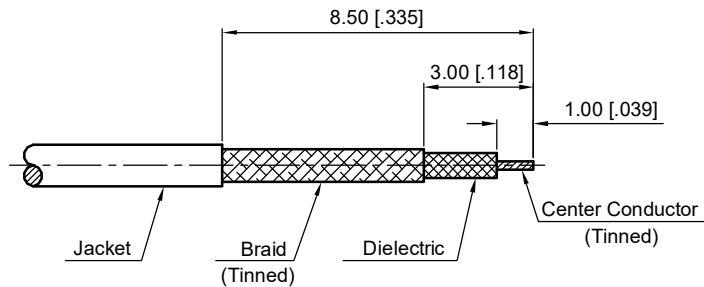
Body Brass, Gold-plated
 Pin Contact Brass, Gold-plated
 Insulator PTFE

Interface Standards

MMCX BS-EN-122340



1. CRIMP FERRULE
 HEX. CRIMP TOOL SIZE: 2.54 [.100]



Recommended Cable Stripping Dimensions

- NOTES:
- ALL SPECIFICATIONS ARE SUBJECT TO CHANGE WITHOUT NOTICE AT ANY TIME
 - UNLESS OTHERWISE SPECIFIED ALL DIMENSIONS ARE NOMINAL.

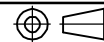
UNLESS OTHERWISE SPECIFIED, DIMENSIONS ARE IN MILLIMETERS [INCHES].
 UNLESS OTHERWISE SPECIFIED DIMENSIONAL TOLERANCES ARE:

XX ±0.13 [.005"]
 X ±0.20 [.008"]
 X ±0.50 [.019"]

ANGULAR TOLERANCES ARE: ALL= ±1°

DO NOT SCALE DRAWING

PROJECTION:



DRAWN:	L. Ma	10/26/2018
CHECKED:	J. Zhu	10/26/2018
APPROVED:	M. Dong	10/26/2018

TITLE:
**MMCX Right Angle Male Crimp
 for RG178 Cable**



Cmppter Electronics Co., Ltd. www.cmppter.com

PART No.:
31-13-1M12-039

SIZE: A4	SCALE: 5:1	SHEET: 1/1	REV: A
-------------	---------------	---------------	-----------