

TECHNICAL DATA

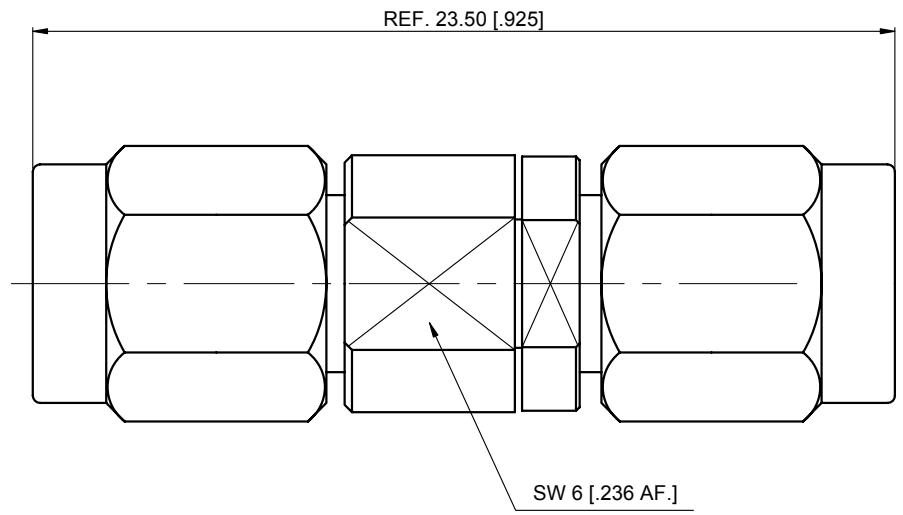
Electrical
 Impedance 50 Ω
 Frequency range 0~40 GHz
 VSWR 1.20:1

Mechanical & Environmental
 Durability (matings) >500
 Temperature range -55 °C ~ +165 °C
 RoHS Compliant Yes

Material & Finish
 Body Stainless Steel (SU303), Passivated
 Pin Contact Beryllium Copper Alloy, Gold-plated
 Insulator PEI & PTFE

Interface Standards
 SSMA MIL-STD-348A

REVISIONS				
REV	DESCRIPTION OF REVISION	ECN No.	DATE	APPROVED
A	INITIAL RELEASE	---	07/11/2014	M. Dong



UNLESS OTHERWISE SPECIFIED, DIMENSIONS ARE IN MILLIMETERS [INCHES]. UNLESS OTHERWISE SPECIFIED DIMENSIONAL TOLERANCES ARE: .XX ±0.13 [.005"] .X ±0.20 [.008"] X ±0.50 [.019"] ANGULAR TOLERANCES ARE: ALL±1° DO NOT SCALE DRAWING PROJECTION:
--

DRAWN:	L. Ma	07/11/2014
CHECKED:	J. Zhu	07/11/2014
APPROVED:	M. Dong	07/11/2014

TITLE:
Precision Adapter, SSMA Male to SSMA Male

CMPPTER[®]
 Cmppter Electronics Co., Ltd. www.cmppter.com

PART No.:
P-SSMAM-SSMAM-260

SIZE: A4	SCALE: 5:1	SHEET: 1/1	REV: A
----------	------------	------------	--------

- NOTES:
- ALL SPECIFICATIONS ARE SUBJECT TO CHANGE WITHOUT NOTICE AT ANY TIME
 - UNLESS OTHERWISE SPECIFIED ALL DIMENSIONS ARE NOMINAL.