

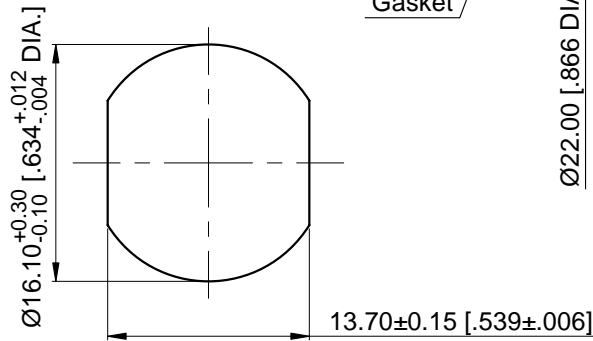
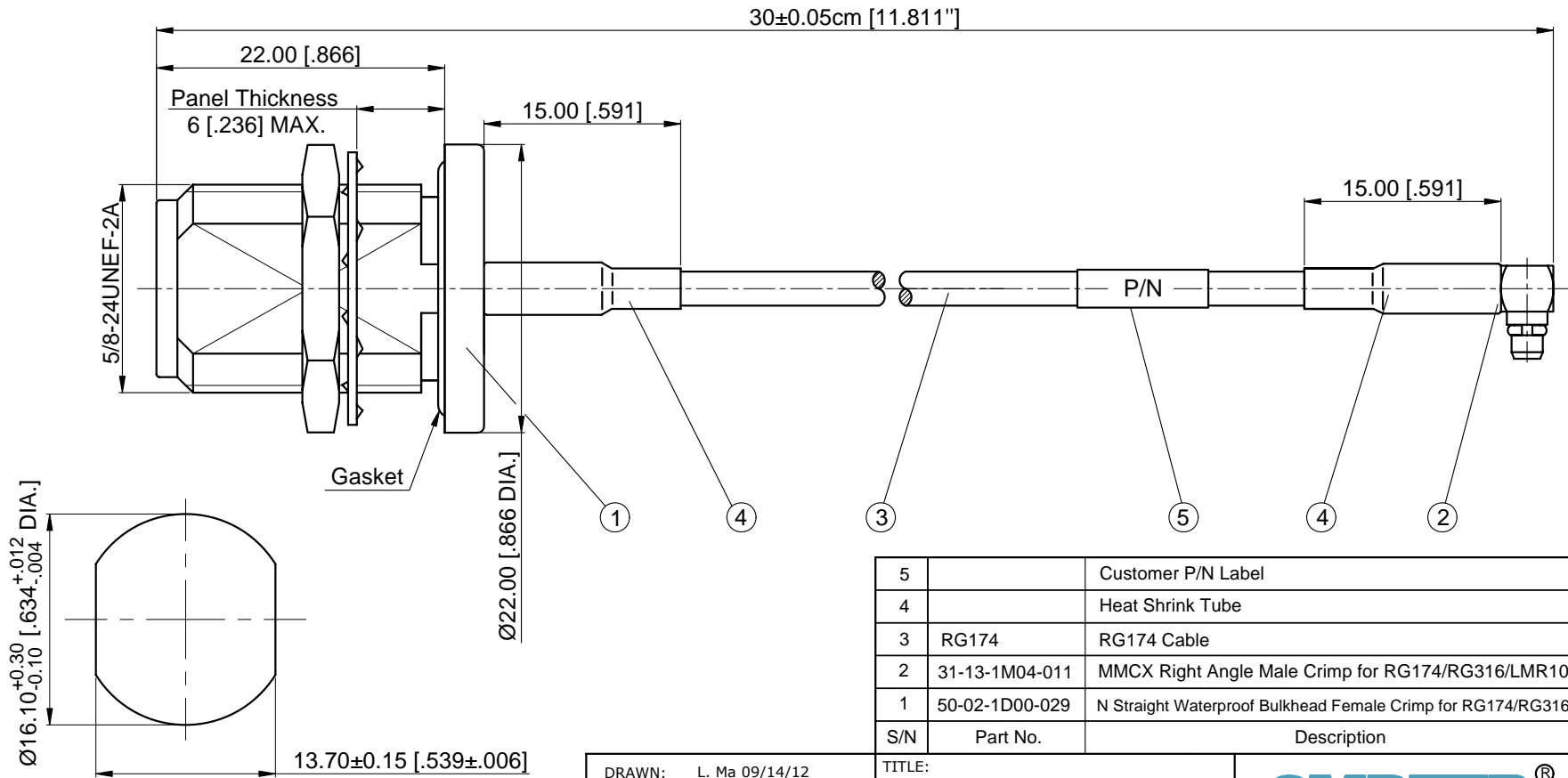
REV	DESCRIPTION OF REVISION	ECN No.	BY	DATE	APPROVED
A	INITIAL RELEASE	—	L. Ma	09/14/12	M. Dong

### TECHNICAL DATA

1. Impedance: 50 Ω
2. Temp. range: -20~+80 °C
3. Durability: 500 Cycles
4. Withstanding voltage: 335 Vrms
5. Frequency range: 0~3 GHz

6. MATERIALS AND FINISHES
- N Straight Waterproof Bulkhead Female:  
 Body - Brass plated Nickel  
 Center contact - Phosphor Bronze plated Gold  
 Insulator - PTFE  
 Gasket - Silicone Rubber

- MMCX Right Angle Male:  
 Body - Brass plated Gold  
 Center contact - Brass plated Gold  
 Insulator - PTFE



5		Customer P/N Label	1
4		Heat Shrink Tube	2
3	RG174	RG174 Cable	1
2	31-13-1M04-011	MMCX Right Angle Male Crimp for RG174/RG316/LMR100	1
1	50-02-1D00-029	N Straight Waterproof Bulkhead Female Crimp for RG174/RG316/LMR100	1
S/N	Part No.	Description	QTY

DRAWN:	L. Ma 09/14/12
ENGINEER:	J. Zhu 09/14/12
APPROVED:	M. Dong 09/14/12
TOLERANCE UNLESS OTHERWISE SPECIFIED	
X	±0.50 [.019"]
.X	±0.20 [.008"]
.XX	±0.10 [.004"]
ANGLES	±1°

TITLE:  
 Cable Assembly, N Straight Waterproof Bulkhead Female to MMCX Right Angle Male, RG174 Cable, 30cm



DIMENSIONS IN MILLIMETERS (mm)

Part No.:	CA174-NFBW-MMCXRAM-30cm-254	SIZE:	A4	SCALE:	2:1	SHEET:	1/1	REV:	A
-----------	-----------------------------	-------	----	--------	-----	--------	-----	------	---

#### NOTES:

1. ALL SPECIFICATIONS ARE SUBJECT TO CHANGE WITHOUT NOTICE AT ANY TIME
2. CUSTOMER OUTLINE DRAWING FOR REFERENCE ONLY