

REVISIONS

REV	DESCRIPTION OF REVISION	ECN No.	DATE	APPROVED
A	INITIAL RELEASE	---	03/23/2007	M. Dong
B	STRUCTURE CHANGED	---	05/16/2015	M. Dong

TECHNICAL DATA

Electrical

Impedance 50 Ω
 Frequency range 0~6 GHz
 Withstanding voltage 1000 V
 Insulation resistance ≥5000MΩ

Mechanical & Environmental

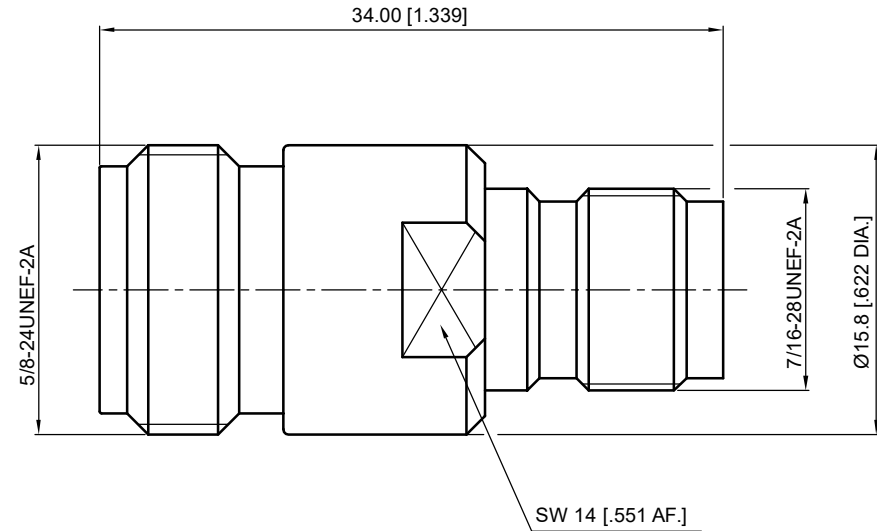
Durability (matings) >500
 Temperature range -55 °C ~ +165 °C
 RoHS Compliant Yes

Material & Finish

Body Brass, Nickel-plated
 Pin Contact Phosphor Bronze, Gold-plated
 Insulator PTFE

Interface Standards

N IEC-60169
 TNC IEC-60169



NOTES:

- ALL SPECIFICATIONS ARE SUBJECT TO CHANGE WITHOUT NOTICE AT ANY TIME
- UNLESS OTHERWISE SPECIFIED ALL DIMENSIONS ARE NOMINAL.

UNLESS OTHERWISE SPECIFIED, DIMENSIONS ARE IN MILLIMETERS [INCHES].
 UNLESS OTHERWISE SPECIFIED DIMENSIONAL TOLERANCES ARE:

XX ±0.13 [.005"]
 X ±0.20 [.008"]
 X ±0.50 [.019"]

ANGULAR TOLERANCES ARE: ALL= ±1°

DO NOT SCALE DRAWING

PROJECTION:



DRAWN: L. Ma 05/16/2015
 CHECKED: J. Zhu 05/16/2015
 APPROVED: M. Dong 05/16/2015

TITLE:
Adapter, N Female to TNC Female



Cmppter Electronics Co., Ltd. www.cmppter.com

PART No.:
A-NF-TNCF-008

SIZE: A4 SCALE: 2:1 SHEET: 1/1 REV: B