

REV	DESCRIPTION OF REVISION	ECN No.	BY	DATE	APPROVED
A	INITIAL RELEASE	—	L. Ma	09/02/10	M. Dong

## TECHNICAL DATA

### ■ Electrical data

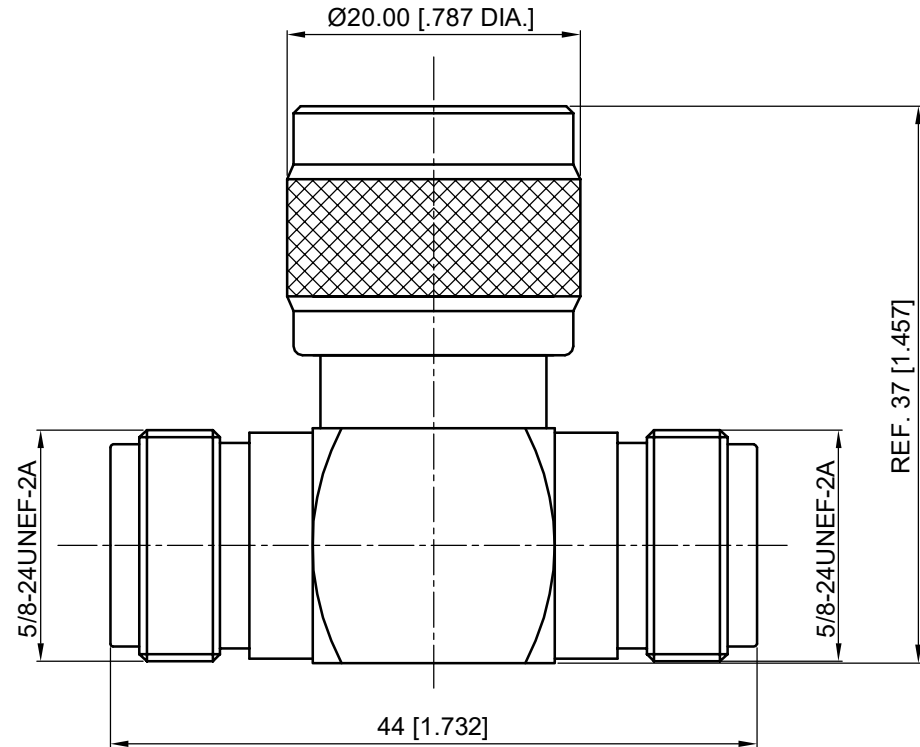
Impedance	50 Ω
Frequency range	3GHz

### ■ Mechanical data

Temperature range	-65 °C ~ +155 °C
Durability (matings)	>500



### ■ Material data

Bodies	Brass, Nickel-plated
Pin Contact	Phosphor Bronze & Brass, Gold-plated
Insulator	PTFE
Gasket	MVQ (Silicone Rubber)



#### NOTES:

1. ALL SPECIFICATIONS ARE SUBJECT TO CHANGE WITHOUT NOTICE AT ANY TIME
2. CUSTOMER OUTLINE DRAWING FOR REFERENCE ONLY

DRAWN: L. Ma 09/02/10	TITLE: <b>Tee Adapter, N Female to N Male to N Female</b>	 <a href="http://www.cmppter.com">www.cmppter.com</a>				
ENGINEER: J. Zhu 09/02/10						
APPROVED: M. Dong 09/02/10		 DIMENSIONS IN MILLIMETERS (mm)				
TOLERANCE UNLESS OTHERWISE SPECIFIED		PART No.: <b>A-NF-NM-NF-029</b>	SIZE: A4	SCALE: 2:1	SHEET: 1/1	REV: A
X	±0.50 [.019"]					
.X	±0.20 [.008"]					
.XX	±0.10 [.004"]					
ANGLES	±1°					