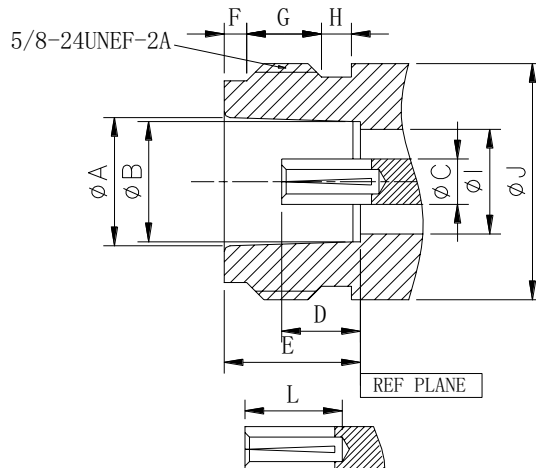
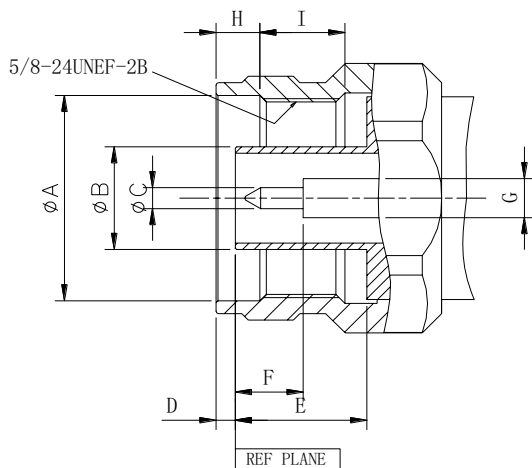


High Frequency N INTERFACE



N Type Male				
	mm		Inch	
	Min	Max	Min	Max
A	16.00	—	0.630	—
B	7.98	8.04	0.3140	0.3165
C	1.64	1.67	0.0644	0.0656
D	0.28	1.30	0.011	0.051
E	9.19	9.45	0.362	0.372
F	5.28	5.36	0.208	0.211
G	3.03	3.05	0.1194	0.120
H	4.01	4.27	0.158	0.168
I	4.50	5.00	0.177	0.197

N Type Female				
	mm		Inch	
	Min	Max	Min	Max
A	8.53	8.74	0.336	0.344
B	8.05	8.10	0.317	0.319
C	3.03	3.05	0.1194	0.120
D	5.18	5.26	0.204	0.207
E	9.07	9.17	0.357	0.361
F	1.19	1.96	0.047	0.077
G	4.57	5.59	0.180	0.220
H	1.02	1.52	0.040	0.060
I	6.99	7.01	0.2753	0.2759
J	9.40	—	0.370	—
K	—	15.93	—	0.627

Interface dimensions conformable to the standards: MIL-STD-348A

TECHNICAL DATA



ELECTRICAL DATA	
Impedance	50 Ohm
Frequency range	DC — 18GHz
Dielectric withstanding voltage	1500V
Insulation resistance	≥ 5000 MΩ
Contact resistance	inter contact ≤ 1 mΩ out contact ≤ 0.2 mΩ
VSWR max.	1.15 : 1

MECHANICAL DATA	
Base material	
Centercontact	Copper Beryllium Alloy, Gold-pated
Body	Stainless Steel, Passivated
Insulator	PEI, PTFE
Durability(matings)	≥ 500

ENVIRONMENTAL	
Temperature Range	-55 °C to + 165 °C
Thermal shock	MIL-STD-202, Method 107, Condition B
Corrosion	Saltspray test acc.to MIL-STD-202, Method 101, Condition B
Vibration	MIL-STD-202, Method 204, Condition D

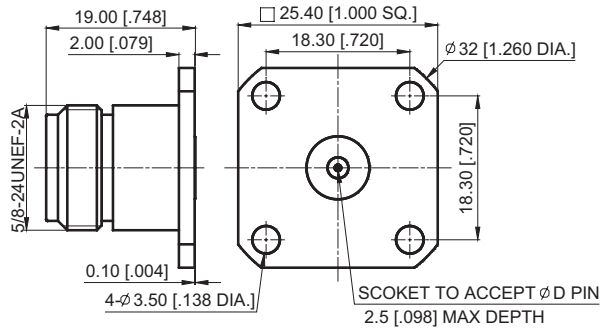
RECEPTACLES WITH ACCEPTS PIN



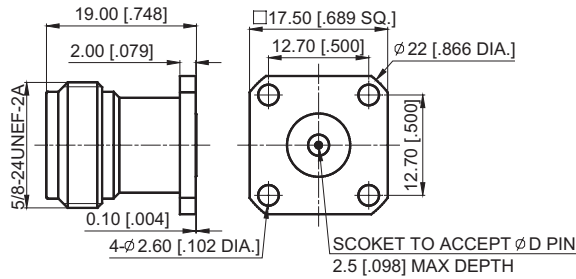
Receptacles, jacks (female), Flange Mount



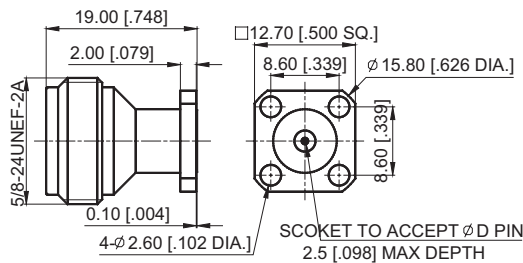
Part Number	∅ D PIN
50-02-9F5-058A	0.46 [.018]
50-02-9F5-058B	0.51 [.020]
50-02-9F5-058C	0.91 [.036]



Part Number	∅ D PIN
50-02-9F5-059A	0.46 [.018]
50-02-9F5-059B	0.51 [.020]
50-02-9F5-059C	0.91 [.036]



Part Number	∅ D PIN
50-02-9F5-060A	0.46 [.018]
50-02-9F5-060B	0.51 [.020]
50-02-9F5-060C	0.91 [.036]



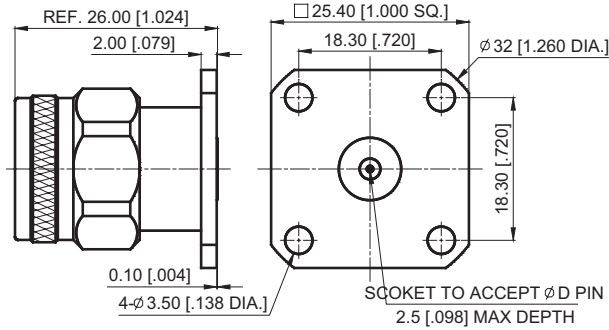
RECEPTACLES WITH ACCEPTS PIN



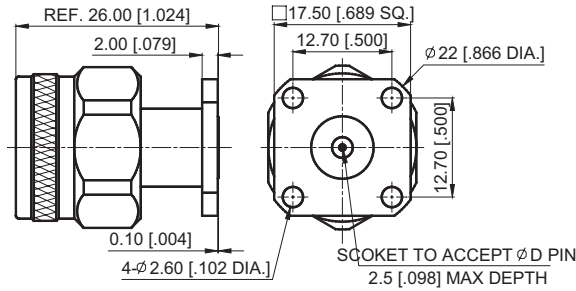
Receptacles, plugs (male), Flange Mount



Part Number	∅ D PIN
50-03-9F5-061A	0.46 [.018]
50-03-9F5-061B	0.51 [.020]
50-03-9F5-061C	0.91 [.036]



Part Number	∅ D PIN
50-03-9F5-062A	0.46 [.018]
50-03-9F5-062B	0.51 [.020]
50-03-9F5-062C	0.91 [.036]



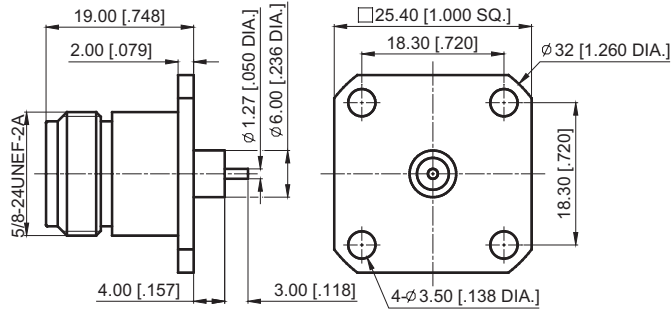
RECEPTACLES, METAL THROUGH THE WALL



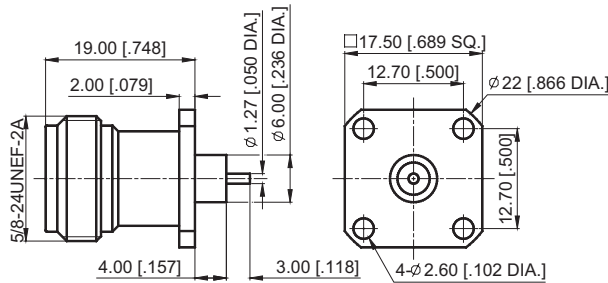
Receptacles, jacks (female), Flange Mount



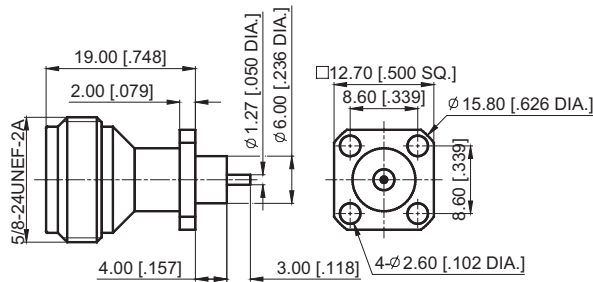
Part Number
50-02-9F2-063



Part Number
50-02-9F2-064



Part Number
50-02-9F2-064



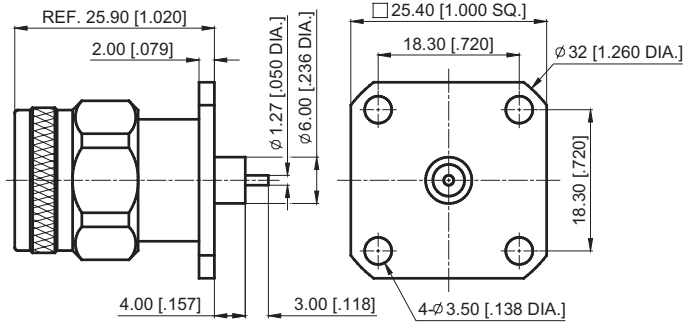
RECEPTACLES, METAL THROUGH THE WALL



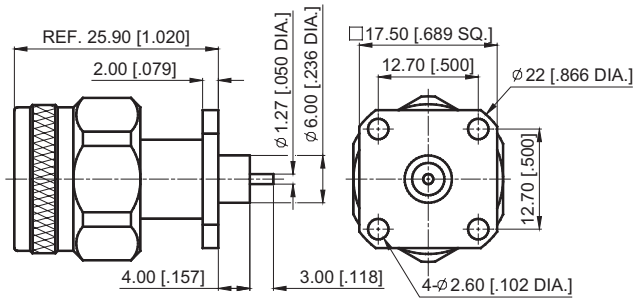
Receptacles, plugs (male), Flange Mount



Part Number
50-03-9F2-066



Part Number
50-03-9F2-067



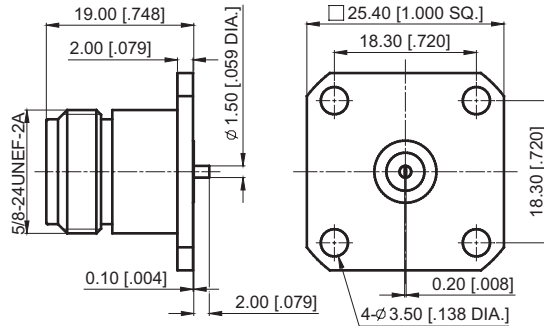
RECEPTACLES WITH TAB



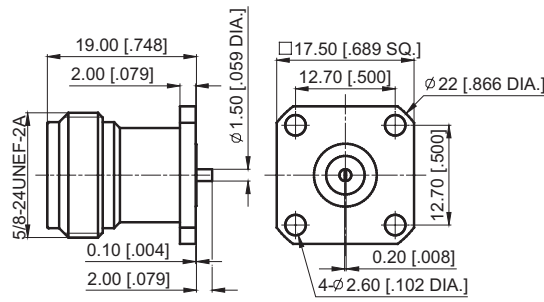
Receptacles, jacks (female), Flange Mount



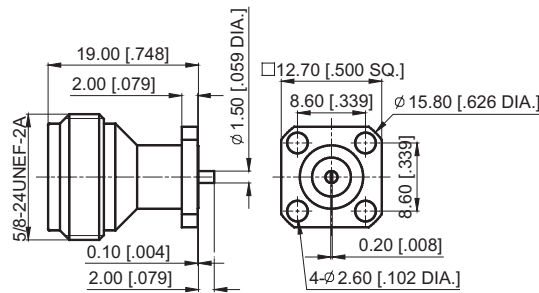
Part Number
50-02-9F6-068



Part Number
50-02-9F6-069



Part Number
50-02-9F6-070

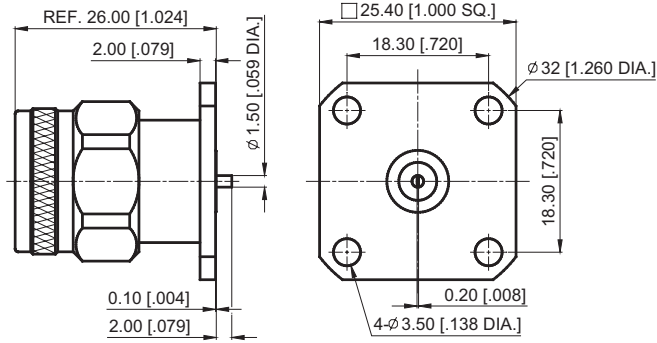


RECEPTACLES WITH TAB

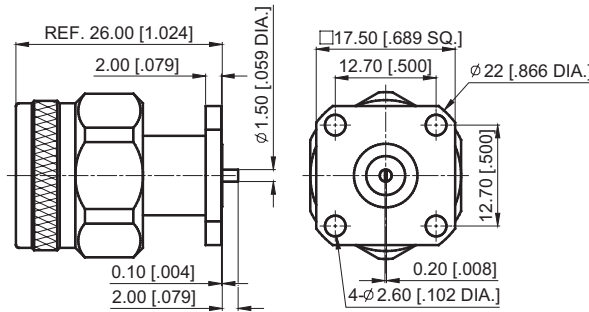


Receptacles, plugs (male), Flange Mount

Part Number
50-03-9F6-071



Part Number
50-03-9F6-072



RECEPTACLES, BULKHEAD THREAD IN

Receptacles, jacks (female)

Part Number
50-02-9A2-073

