



High Frequency RF Coaxial Connectors Catalog

SSMA



Cmpter Electronics Co., Limited

#2-3F, SaiQiElectronicsPark, Dantu New city
Industry area, ZhenJiangCity, 212028, JS, China

Tel: (86) 511 8443 6131

Email: sales@cmpter.com

Web: www.cmpter.com

SSMA Precision Connectors



DESCRIPTION

SSMA connectors are 50ohm precision connectors designed to perform mode free to 40GHz. They commonly used for applications where reduced sized and higher package density are required. The standard SSMA interface utilizes a PTFE & PEI dielectric. Cmptter offers SSMA connectors for semi-rigid and low loss flexible cable, receptacles and precision adapters which may be adapted for custom application.

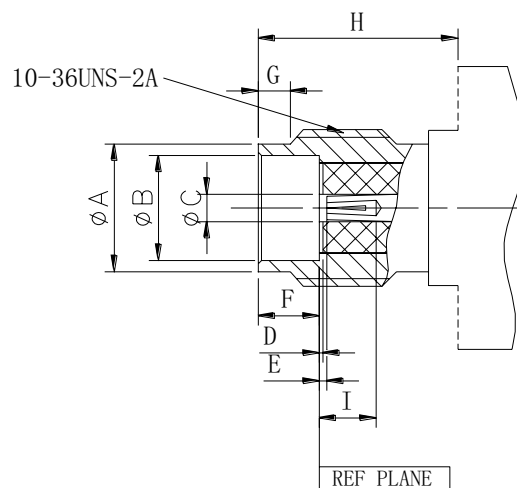
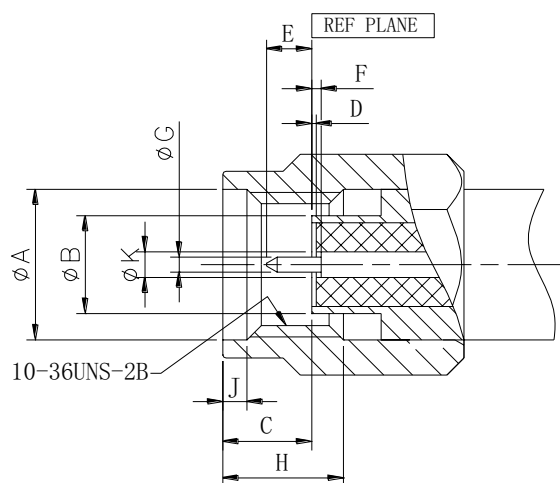
SSMA Design Features

- Excellent performance up to 40GHz
- Low VSWR and insertion loss
- Rugged construction for reliability

CONTENTS

Description	1
Interface dimensions	2
Technical data	3
Receptacles With Accepts Pin	4
Receptacles, Metal Through The Wall	6

SSMA INTERFACE



SSMA Male				
	mm		Inch	
	Min	Max	Min	Max
A	4.98	5.13	0.196	0.202
B	3.15	3.22	0.124	0.1268
C	2.54	3.38	0.100	0.133
D	0.00	0.25	0.000	0.010
E	1.27	1.65	0.050	0.065
F	0.00	0.25	0.000	0.010
G	0.50	0.53	0.0195	0.0208
H	3.30	—	0.130	—
J	0.38	1.14	0.015	0.045
K	0.85	0.88	0.0335	0.0348

SSMA Female				
	mm		Inch	
	Min	Max	Min	Max
A	3.89	4.06	0.153	0.160
B	3.23	3.30	0.127	0.130
C	0.851	0.884	0.0335	0.0348
D	0.00	0.25	0.000	0.010
E	0.00	0.25	0.000	0.010
F	1.90	1.96	0.075	0.077
G	0.51	1.02	0.020	0.040
H	5.84	—	0.230	—
I	1.91	—	0.075	—

Interface dimensions conformable to the standards: IEEE STD 287-2007

TECHNICAL DATA



ELECTRICAL DATA	
Impedance	50 Ohm
Frequency range	DC — 40GHz
Dielectric withstanding voltage	750V
Insulation resistance	$\geq 1000 \text{ M}\Omega$
Contact resistance	inter contact $\leq 5 \text{ m}\Omega$ out contact $\leq 2.5 \text{ m}\Omega$
VSWR max.	1.20 : 1

MECHANICAL DATA	
Base material	
Centercontact	Copper Beryllium Alloy, Gold-pated
Body	Stainless Steel, Passivated
Insulator	PEI, PTFE
Durability(matings)	≥ 500

ENVIRONMENTAL	
Temperature Range	-55 °C to + 165 °C
Thermal shock	MIL-STD-202, Method 107, Condition B
Corrosion	Saltspray test acc.to MIL-STD-202, Method 101, Condition B
Vibration	MIL-STD-202, Method 204, Condition D

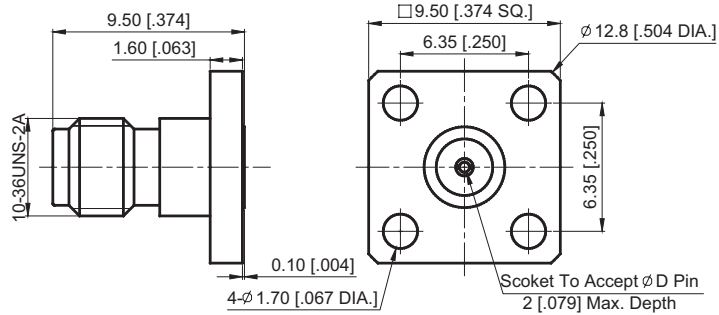
RECEPTACLES WITH ACCEPTS PIN



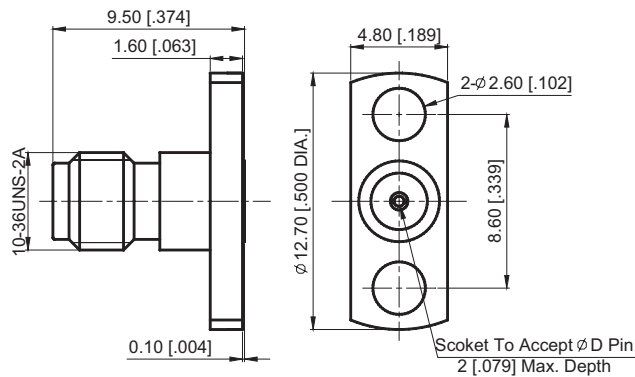
Receptacles, jacks (female), Flange Mount



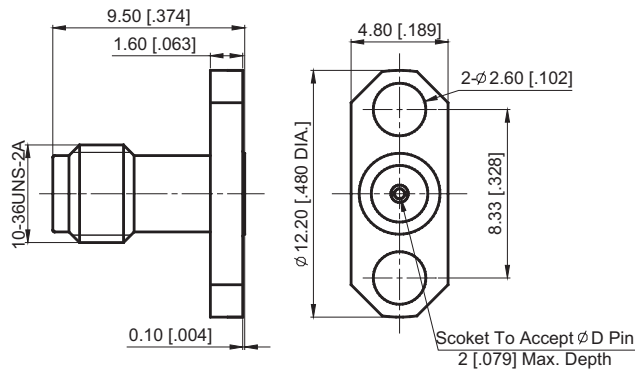
Part Number	D
D60-02-9F5-001A	0.23 [.009]
D60-02-9F5-001B	0.30 [.012]
D60-02-9F5-001C	0.38 [.015]
D60-02-9F5-001D	0.46 [.018]
D60-02-9F5-001E	0.51 [.020]



Part Number	D
D60-02-9E5-002A	0.23 [.009]
D60-02-9E5-002B	0.30 [.012]
D60-02-9E5-002C	0.38 [.015]
D60-02-9E5-002D	0.46 [.018]
D60-02-9E5-002E	0.51 [.020]



Part Number	D
D60-02-9E5-003A	0.23 [.009]
D60-02-9E5-003B	0.30 [.012]
D60-02-9E5-003C	0.38 [.015]
D60-02-9E5-003D	0.46 [.018]
D60-02-9E5-003E	0.51 [.020]

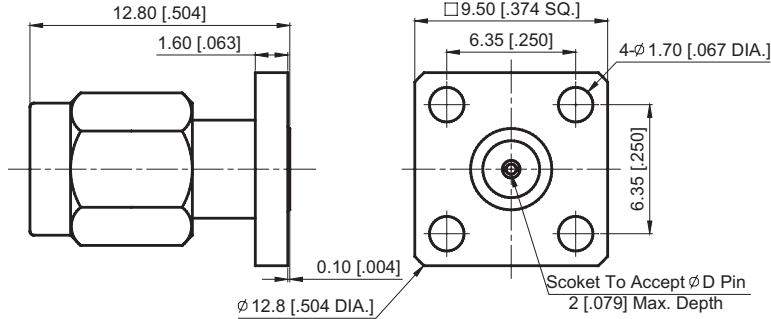


RECEPTACLES WITH ACCEPTS PIN

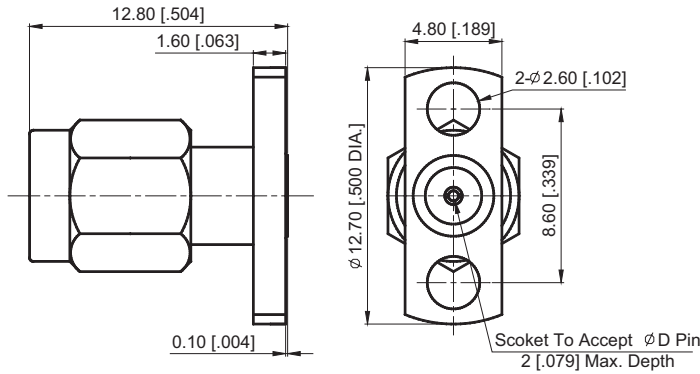


Receptacles, plugs (male), Flange Mount

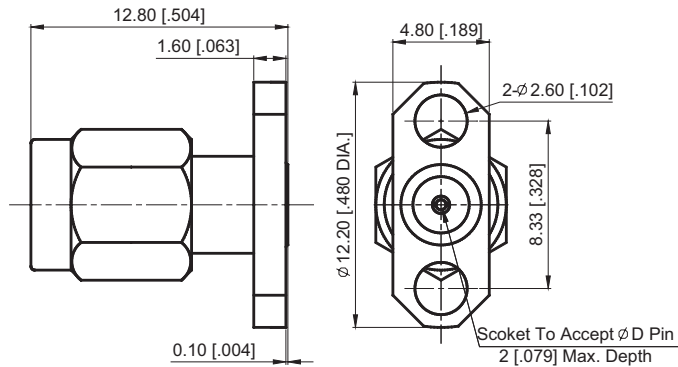
Part Number	D
D60-03-9F5-004A	0.23 [.009]
D60-03-9F5-004B	0.30 [.012]
D60-03-9F5-004C	0.38 [.015]
D60-03-9F5-004D	0.46 [.018]
D60-03-9F5-004E	0.51 [.020]



Part Number	D
D60-03-9E5-005A	0.23 [.009]
D60-03-9E5-005B	0.30 [.012]
D60-03-9E5-005C	0.38 [.015]
D60-03-9E5-005D	0.46 [.018]
D60-03-9E5-005E	0.51 [.020]



Part Number	D
D60-03-9E5-006A	0.23 [.009]
D60-03-9E5-006B	0.30 [.012]
D60-03-9E5-006C	0.38 [.015]
D60-03-9E5-006D	0.46 [.018]
D60-03-9E5-006E	0.51 [.020]



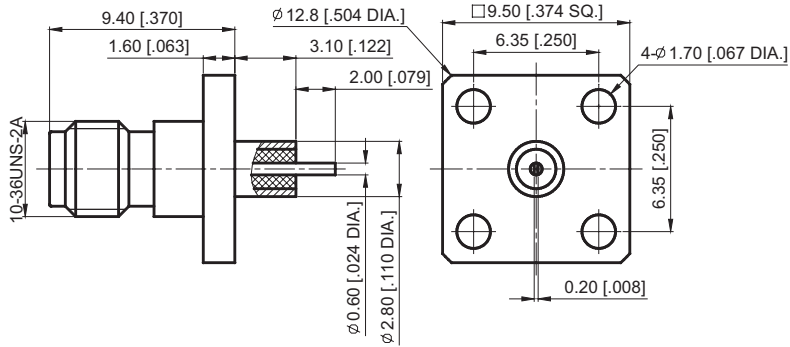
RECEPTACLES, METAL THROUGH THE WALL



Receptacles, jacks (female), Flange Mount



Part Number
D60-02-9F5-007



Part Number	Figure
D60-02-9E5-008A	Fig. 1
D60-02-9E5-008B	Fig. 2

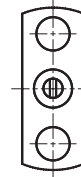
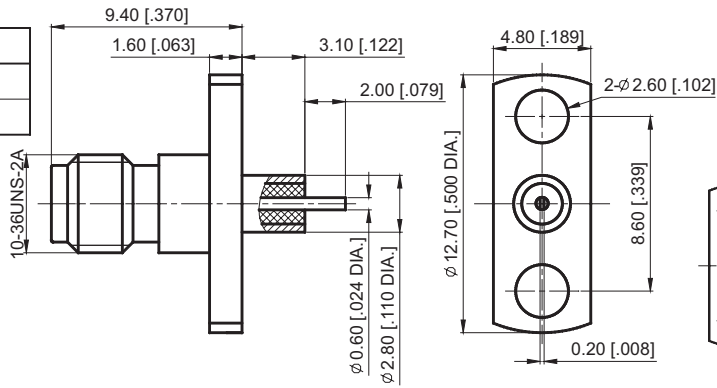


Fig. 1

Fig. 2



Part Number	Figure
D60-02-9E5-009A	Fig. 1
D60-02-9E5-009B	Fig. 2

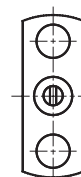
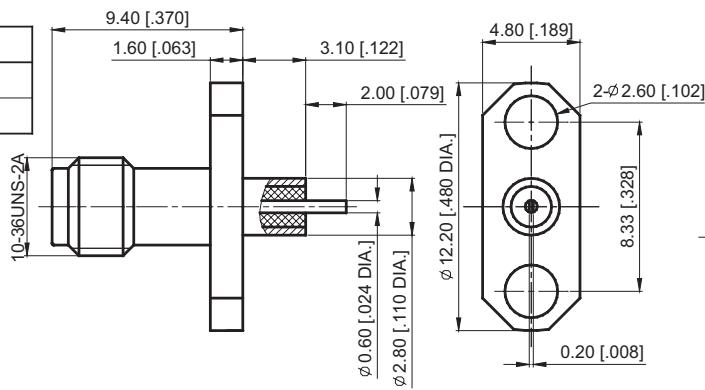


Fig. 1

Fig. 2

