

| REV | DESCRIPTION OF REVISION | ECN No. | BY | DATE | APPROVED |
|-----|-------------------------|---------|-------|----------|----------|
| A | INITIAL RELEASE | — | L. Ma | 07/12/10 | 07/12/10 |

TECHNICAL DATA

■ Electrical data

| | |
|-----------------|----------|
| Impedance | 50 Ω |
| Frequency range | 0~50 GHz |
| VSWR | 1.20:1 |

■ Mechanical data

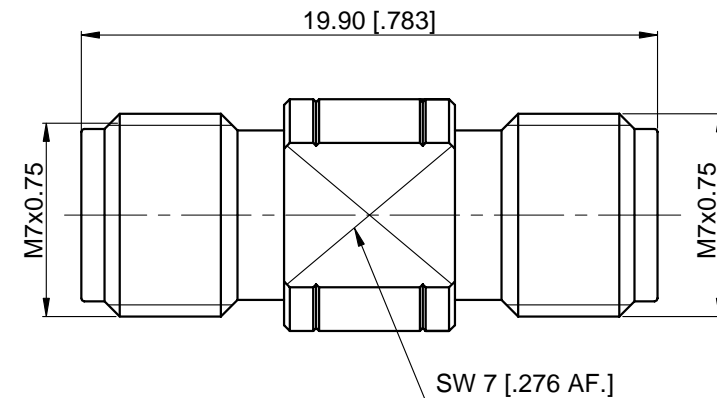
| | |
|----------------------|------------------|
| Temperature range | -55 °C ~ +165 °C |
| Durability (matings) | >500 |

■ Material data

| | |
|-------------|-------------------------------------|
| Body | Stainless Steel (SU303), Passivated |
| Pin Contact | Beryllium Copper Alloy, Gold-plated |
| Insulator | PEI |


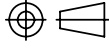
■ Interface Standards

| | |
|-------|-------------------|
| 2.4mm | IEEE STD 287-2007 |
|-------|-------------------|



NOTES:

- ALL SPECIFICATIONS ARE SUBJECT TO CHANGE WITHOUT NOTICE AT ANY TIME
- CUSTOMER OUTLINE DRAWING FOR REFERENCE ONLY

| | | | | | |
|--------------------------------------|--|---|------------|------------|--------|
| DRAWN: L. Ma 07/12/10 | TITLE: |  www.cmptter.com | | | |
| ENGINEER: J. Zhu 07/12/10 | Precision Adapter, 2.4mm Female to 2.4mm Female | | | | |
| APPROVED: M. Dong 07/12/10 | |  DIMENSIONS IN MILLIMETERS (mm) | | | |
| TOLERANCE UNLESS OTHERWISE SPECIFIED | | | | | |
| X ±0.50 [.019"] | PART No.: P-2.4F-2.4F-203 | SIZE: A4 | SCALE: 4:1 | SHEET: 1/1 | REV: A |
| .X ±0.20 [.008"] | | | | | |
| .XX ±0.10 [.004"] | | | | | |
| ANGLES ±1° | | | | | |