

REVISIONS

REV	DESCRIPTION OF REVISION	ECN No.	DATE	APPROVED
A	INITIAL RELEASE	—	01/05/2017	M. Dong

TECHNICAL DATA

Electrical

Impedance	50 Ω
Frequency range	0~5.0 GHz
VSWR	1.2 0:1
Contact resistance	
-centre contact	≤3mΩ
-outer contact	≤2mΩ
Insulation resistance	≥3000MΩ

Mechanical & Environmental

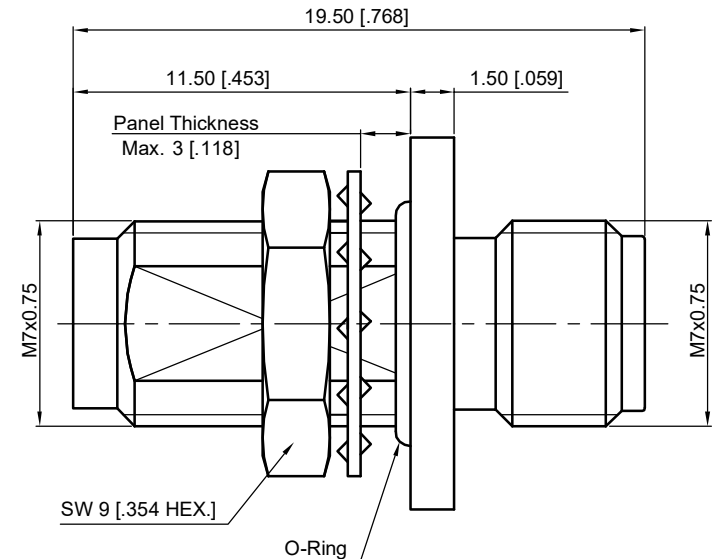
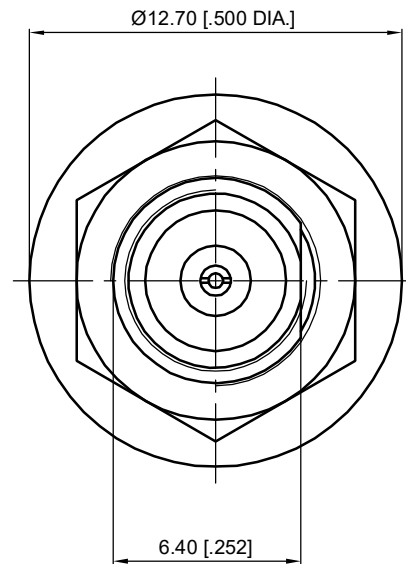
Durability (matings)	>500
Temperature range	-55 °C ~ +165 °C
RoHS Compliant	Yes

Material & Finish

Body	Stainless Steel (SU303), Passivated
Pin Contact	Beryllium Copper Alloy, Gold-plated
Insulator	PEI
O-Ring	Silicone Rubber

Interface Standards

2.4mm	IE C-61169
-------	------------



NOTES:

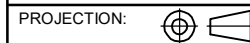
- ALL SPECIFICATIONS ARE SUBJECT TO CHANGE WITHOUT NOTICE AT ANY TIME
- UNLESS OTHERWISE SPECIFIED ALL DIMENSIONS ARE NOMINAL.

UNLESS OTHERWISE SPECIFIED, DIMENSIONS ARE IN MILLIMETERS (INCHES).
UNLESS OTHERWISE SPECIFIED DIMENSIONAL TOLERANCES ARE:

.XX	±0.13 [.005"]
.X	±0.20 [.008"]
X	±0.50 [.019"]

ANGULAR TOLERANCES ARE: ALL= ±1°

DO NOT SCALE DRAWING



DRAWN:	L. Ma	01/05/2017
CHECKED:	J. Zhu	01/05/2017
APPROVED:	M. Dong	01/05/2017

TITLE:
**Precision Adapter, 2.4mm
Waterproof Bulkhead Female
to 2.4mm Female**



Cmptter Electronics Co., Ltd. www.cmptter.com

PART No.:
P-2.4F-2.4F-293

SIZE: A4	SCALE: 4:1	SHEET: 1/1	REV: A
-------------	---------------	---------------	-----------