

TECHNICAL DATA

Electrical

Impedance	50 Ω
Frequency range	0~50 GHz
VSWR	1.20:1
Contact resistance	
-centre contact	≤3mΩ
-outer contact	≤2mΩ
Insulation resistance	≥3000MΩ

Mechanical & Environmental

Durability (matings)	>500
Temperature range	-55 °C ~ +165 °C
RoHS Compliant	Yes

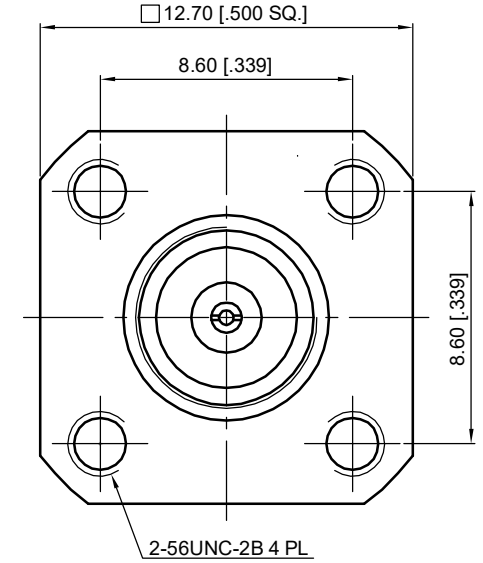
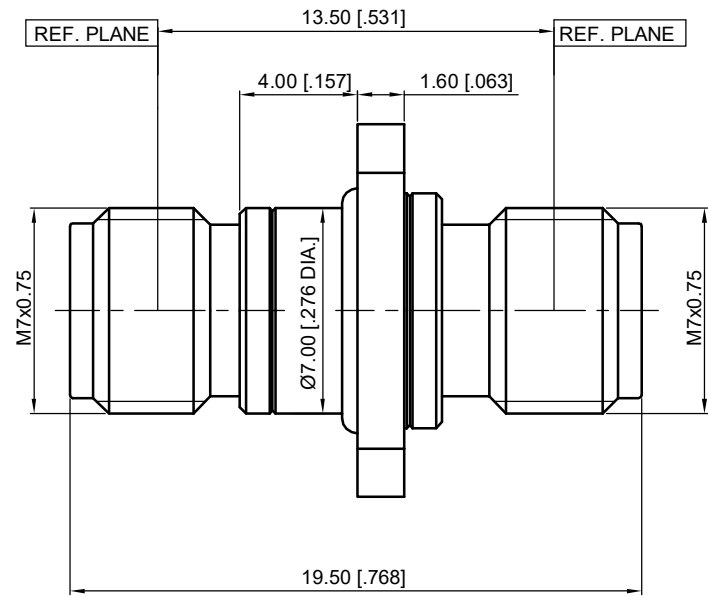
Material & Finish

Body	Stainless Steel (SU303), Passivated
Pin Contact	Beryllium Copper Alloy, Gold-plated
Insulator	PEI

Interface Standards

2.4mm	IEEE STD 287-2007
-------	-------------------

REVISIONS				
REV	DESCRIPTION OF REVISION	ECN No.	DATE	APPROVED
A	INITIAL RELEASE		05/25/2018	M. Dong



1
2
3
4
5
6
7

1
2
3
4
5
6
7

NOTES:
1. ALL SPECIFICATIONS ARE SUBJECT TO CHANGE WITHOUT NOTICE AT ANY TIME
2. UNLESS OTHERWISE SPECIFIED ALL DIMENSIONS ARE NOMINAL.

UNLESS OTHERWISE SPECIFIED, DIMENSIONS ARE IN MILLIMETERS (INCHES). UNLESS OTHERWISE SPECIFIED DIMENSIONAL TOLERANCES ARE: .XX ±0.13 [0.005"] .X ±0.20 [0.008"] X ±0.50 [0.019"] ANGULAR TOLERANCES ARE: ALL= ±1° DO NOT SCALE DRAWING
PROJECTION:

DRAWN:	L. Ma	05/25/2018
CHECKED:	J. Zhu	05/25/2018
APPROVED:	M. Dong	05/25/2018

TITLE:
Precision Adapter, 2.4mm Female to 2.4mm Female, 4 Hole Flange

CMPPTER®
Cmppter Electronics Co., Ltd. www.cmppter.com

PART No.:
P-2.4F-2.4F-340

SIZE: A4	SCALE: 4:1	SHEET: 1/1	REV: A
----------	------------	------------	--------

A B C D E F G H I J