

REV	DESCRIPTION OF REVISION	ECN No.	BY	DATE	APPROVED
A	INITIAL RELEASE	—	L. Ma	07/06/10	07/06/10

## TECHNICAL DATA

### ■ Electrical data

Impedance	50 Ω
Frequency range	0~40 GHz
VSWR	1.20:1

### ■ Mechanical data

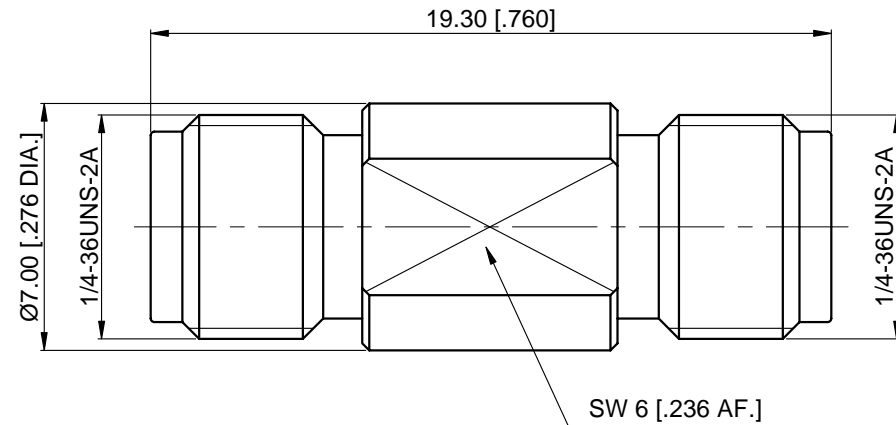
Temperature range	-55 °C ~ +165 °C
Durability (matings)	>500

### ■ Material data

Body	Stainless Steel (SU303), Passivated
Pin Contact	Beryllium Copper Alloy, Gold-plated
Insulator	PEI


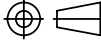
### ■ Interface Standards

2.92mm	MIL-STD-348A
--------	--------------



#### NOTES:

1. ALL SPECIFICATIONS ARE SUBJECT TO CHANGE WITHOUT NOTICE AT ANY TIME
2. CUSTOMER OUTLINE DRAWING FOR REFERENCE ONLY

DRAWN: L. Ma 07/06/10	TITLE: <b>Precision Adapter, 2.92mm Female to 2.92mm Female</b>	 www.cmppter.com				
ENGINEER: J. Zhu 07/06/10						
APPROVED: M. Dong 07/06/10		 DIMENSIONS IN MILLIMETERS (mm)				
TOLERANCE UNLESS OTHERWISE SPECIFIED		PART No.: P-2.92F-2.92F-196	SIZE: A4	SCALE: 5:1	SHEET: 1/1	REV: A
X	±0.50 [.019"]					
.X	±0.20 [.008"]					
.XX	±0.10 [.004"]					
ANGLES	±1°					