

A B C D E F G H I J

REVISIONS				
REV	DESCRIPTION OF REVISION	ECN No.	DATE	APPROVED
A	INITIAL RELEASE	—	07/07/2017	M. Dong

### TECHNICAL DATA

#### Electrical

Impedance 50 Ω  
 Frequency range 0~40 GHz  
 VSWR 1.20:1

#### Mechanical & Environmental

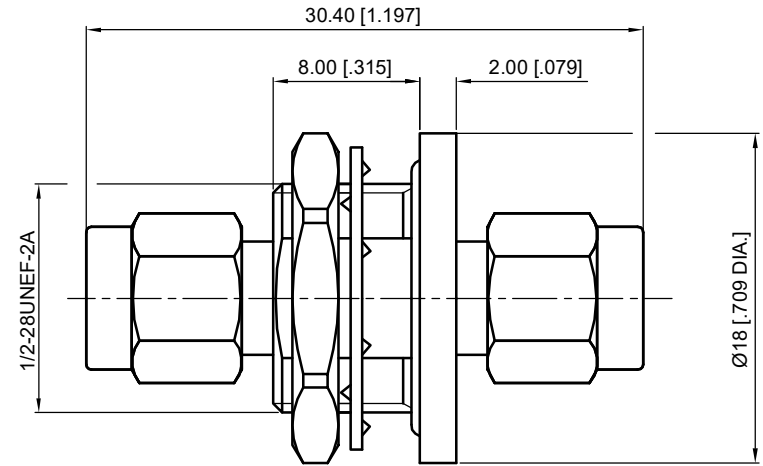
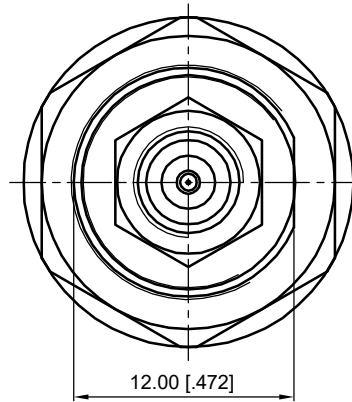
Durability (matings) >500  
 Temperature range -55 °C ~ +165 °C  
 RoHS Compliant Yes

#### Material & Finish

Body Stainless Steel (SU303), Passivated  
 Pin Contact Beryllium Copper Alloy, Gold-plated  
 Insulator PEI

#### Interface Standards

2.92mm MIL-STD-348A



1

2

3

4

5

6

7

1

2

3

4

5

6

7

**NOTES:**

- ALL SPECIFICATIONS ARE SUBJECT TO CHANGE WITHOUT NOTICE AT ANY TIME
- UNLESS OTHERWISE SPECIFIED ALL DIMENSIONS ARE NOMINAL.

UNLESS OTHERWISE SPECIFIED, DIMENSIONS ARE IN MILLIMETERS [INCHES]. UNLESS OTHERWISE SPECIFIED DIMENSIONAL TOLERANCES ARE: .XX ±0.13 [0.005] .X ±0.20 [0.008] X ±0.50 [0.019] ANGULAR TOLERANCES ARE: ALL= ±1° DO NOT SCALE DRAWING	DRAWN: L. Ma 07/07/2017 CHECKED: J. Zhu 07/07/2017 APPROVED: M. Dong 07/07/2017
PROJECTION:	TITLE: Precision Adapter, 2.92mm Waterproof Bulkhead Male to 2.92mm Male



Cmppter Electronics Co., Ltd. [www.cmppter.com](http://www.cmppter.com)

PART No.:  
**P-2.92M-2.92M-309**

SIZE: A4	SCALE: 2.5:1	SHEET: 1/1	REV: A
----------	--------------	------------	--------

A B C D E F G H I J