

# TECHNICAL DATA

## Electrical

Impedance 50 Ω  
 Frequency range 0~40 GHz  
 VSWR 1.25:1

## Mechanical & Environmental

Durability (matings) >500  
 Temperature range -55 °C ~ +165 °C  
 RoHS Compliant Yes

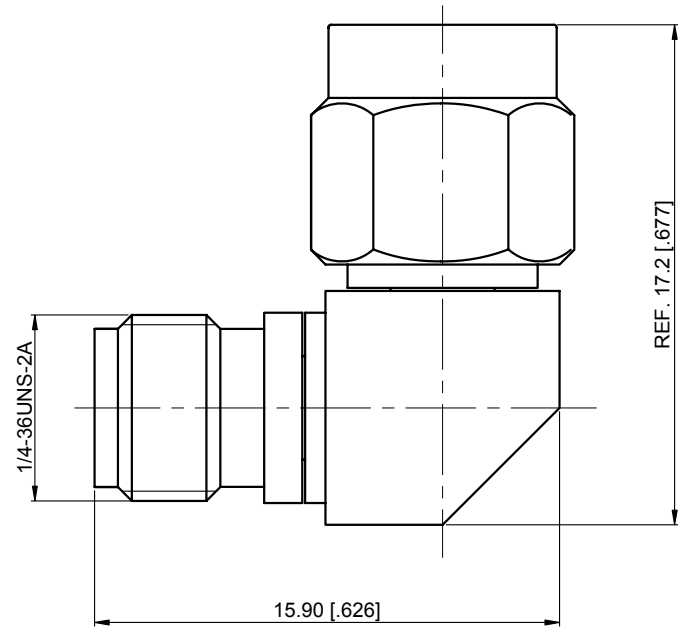
## Material & Finish

Body Stainless Steel (SU303), Passivated  
 Pin Contact Beryllium Copper Alloy, Gold-plated  
 Insulator PEI

## Interface Standards

2.92mm MIL-STD-348A

REVISIONS				
REV	DESCRIPTION OF REVISION	ECN No.	DATE	APPROVED
A	INITIAL RELEASE	—	09/26/2014	M. Dong



UNLESS OTHERWISE SPECIFIED, DIMENSIONS ARE IN MILLIMETERS (INCHES). UNLESS OTHERWISE SPECIFIED DIMENSIONAL TOLERANCES ARE:	
.XX	±0.13 [.005"]
.X	±0.20 [.008"]
X	±0.50 [.019"]
ANGULAR TOLERANCES ARE: ALL=±1°	
DO NOT SCALE DRAWING	
PROJECTION:	

DRAWN:	L. Ma	09/26/2014
CHECKED:	J. Zhu	09/26/2014
APPROVED:	M. Dong	09/26/2014

TITLE:  
**Precision Adapter, Right Angle, 2.92mm Male to 2.92mm Female**

Cmppter Electronics Co., Ltd. <a href="http://www.cmppter.com">www.cmppter.com</a>			
PART No.: PR-2.92M-2.92F-246			
SIZE: A4	SCALE: 4:1	SHEET: 1/1	REV: A

### NOTES:

- ALL SPECIFICATIONS ARE SUBJECT TO CHANGE WITHOUT NOTICE AT ANY TIME
- UNLESS OTHERWISE SPECIFIED ALL DIMENSIONS ARE NOMINAL.