

REV	DESCRIPTION OF REVISION	ECN No.	BY	DATE	APPROVED
A	INITIAL RELEASE	—	L. Ma	07/02/10	07/02/10

## TECHNICAL DATA

### Electrical data

Impedance	50 Ω
Frequency range	0~33 GHz
VSWR	1.15:1

### Mechanical data

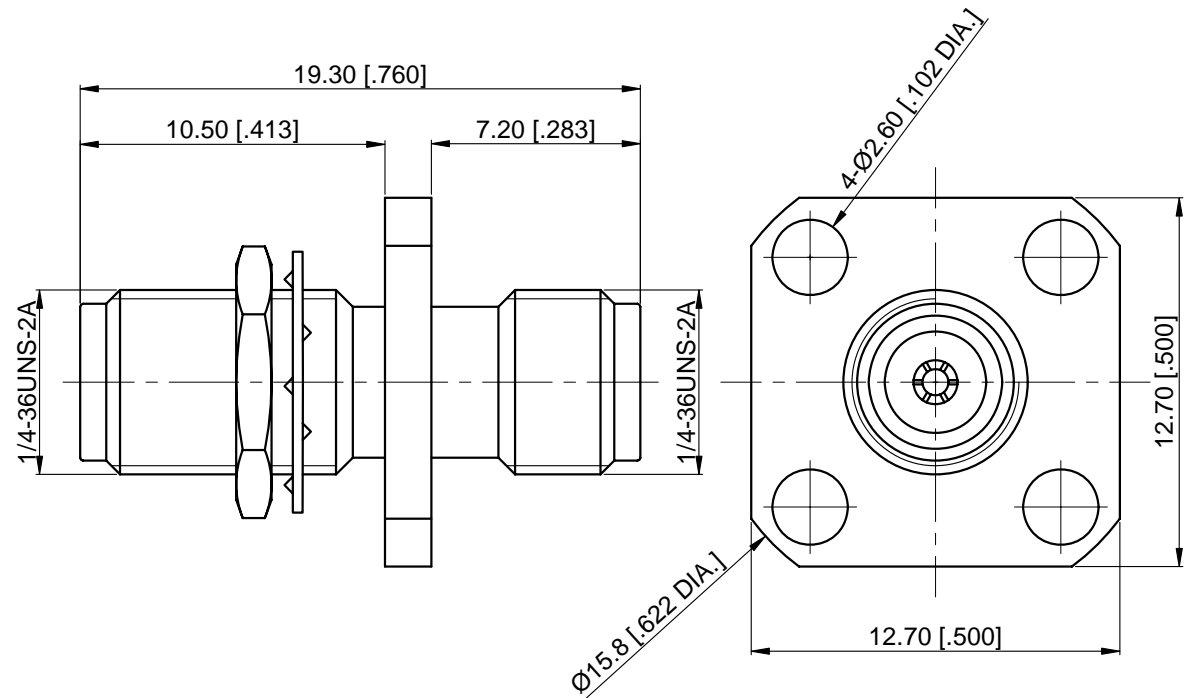
Temperature range	-55 °C ~ +165 °C
Durability (matings)	>500

### Material data

Body	Stainless Steel (SU303), Passivated
Pin Contact	Beryllium Copper Alloy, Gold-plated
Insulator	PEI


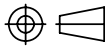
### Interface Standards

3.5mm	IEC-60169
-------	-----------



#### NOTES:

1. ALL SPECIFICATIONS ARE SUBJECT TO CHANGE WITHOUT NOTICE AT ANY TIME
2. CUSTOMER OUTLINE DRAWING FOR REFERENCE ONLY

DRAWN: L. Ma 07/02/10	TITLE:	 <a href="http://www.cmppter.com">www.cmppter.com</a>			
ENGINEER: J. Zhu 07/02/10	Precision Adapter, 3.5mm Bulkhead Female to 3.5mm Female, 4 Hole Flange				
APPROVED: M. Dong 07/02/10		 DIMENSIONS IN MILLIMETERS (mm)			
TOLERANCE UNLESS OTHERWISE SPECIFIED					
X ±0.50 [0.019"]	PART No.: P-3.5F-3.5F-195	SIZE: A4	SCALE: 4:1	SHEET: 1/1	REV: A
.X ±0.20 [0.008"]					
.XX ±0.10 [0.004"]					
ANGLES ±1°					