

REVISIONS				
REV	DESCRIPTION OF REVISION	ECN No.	DATE	APPROVED
A	INITIAL RELEASE	—	08/16/2014	M. Dong

TECHNICAL DATA

Electrical

Impedance 50 Ω
 Frequency range 0~33 GHz
 VSWR 1.15:1

Mechanical & Environmental

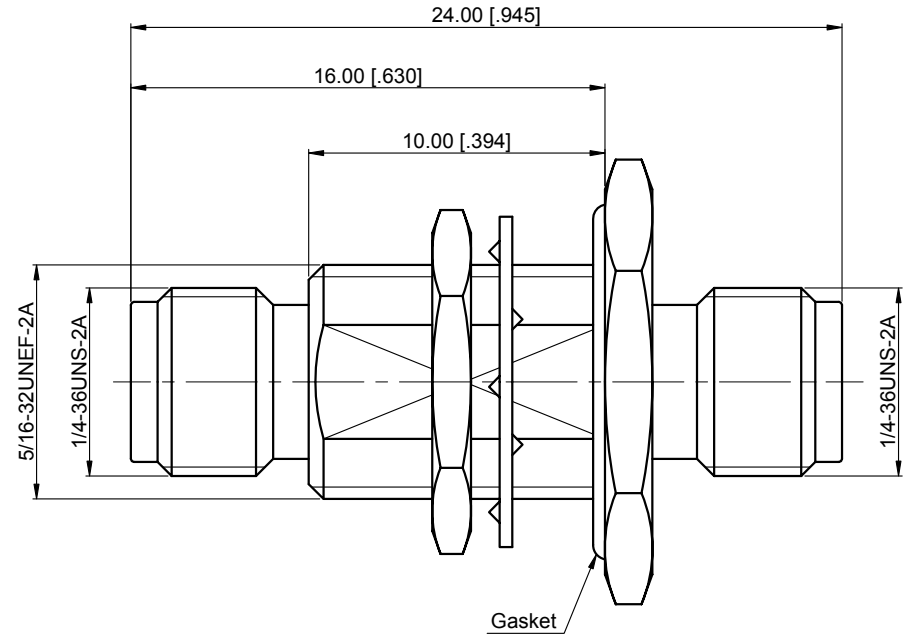
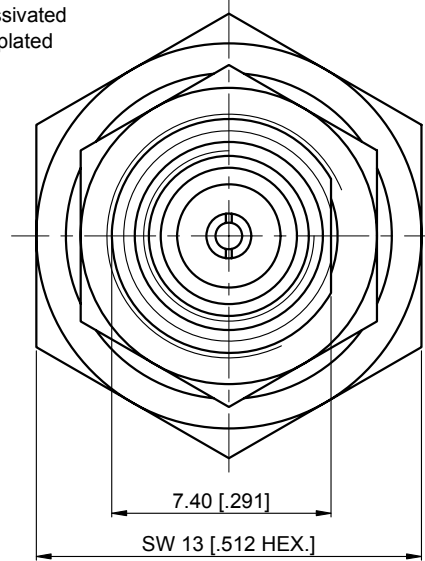
Durability (matings) >500
 Temperature range -55 °C ~ +165 °C
 RoHS Compliant Yes

Material & Finish

Body Stainless Steel (SU303), Passivated
 Pin Contact Beryllium Copper Alloy, Gold-plated
 Insulator PEI
 Gasket Silicone Rubber

Interface Standards

3.5mm IEC-60169



UNLESS OTHERWISE SPECIFIED, DIMENSIONS ARE IN MILLIMETERS [INCHES].
 UNLESS OTHERWISE SPECIFIED DIMENSIONAL TOLERANCES ARE:

.XX ±0.13 [.005"]
 X ±0.20 [.008"]
 X ±0.50 [.019"]

ANGULAR TOLERANCES ARE: ALL=±1°

DO NOT SCALE DRAWING

PROJECTION:

DRAWN:	L. Ma	08/16/2014
CHECKED:	J. Zhu	08/16/2014
APPROVED:	M. Dong	08/16/2014

TITLE:
**Precision Adapter, 3.5mm
 Waterproof Bulkhead Female
 to 3.5mm Female**

CMPPTER®

Cmptter Electronics Co., Ltd. www.cmptter.com

PART No.:

P-3.5F-3.5F-255

SIZE: A4	SCALE: 4:1	SHEET: 1/1	REV: A
-------------	---------------	---------------	-----------

NOTES:

- ALL SPECIFICATIONS ARE SUBJECT TO CHANGE WITHOUT NOTICE AT ANY TIME
- UNLESS OTHERWISE SPECIFIED ALL DIMENSIONS ARE NOMINAL.