

# TECHNICAL DATA

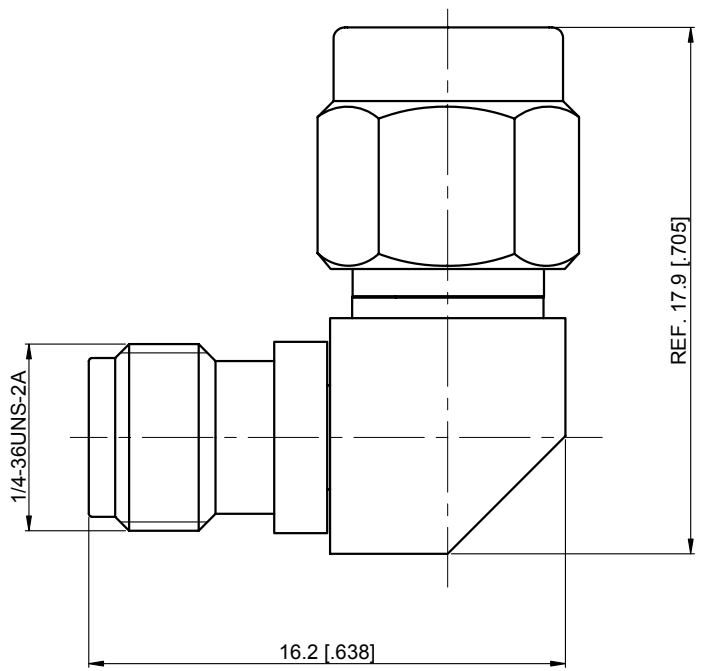
**Electrical**  
 Impedance 50 Ω  
 Frequency range 0~33 GHz  
 VSWR 1.25:1

**Mechanical & Environmental**  
 Durability (matings) >500  
 Temperature range -55 °C ~ +165 °C  
 RoHS Compliant Yes

**Material & Finish**  
 Body Stainless Steel (SU303), Passivated  
 Pin Contact Beryllium Copper Alloy, Gold-plated  
 Insulator PEI

**Interface Standards**  
 3.5mm IEC-60169

| REVISIONS |                         |         |            |          |
|-----------|-------------------------|---------|------------|----------|
| REV       | DESCRIPTION OF REVISION | ECN No. | DATE       | APPROVED |
| A         | INITIAL RELEASE         | —       | 10/12/2014 | M. Dong  |



- NOTES:**
- ALL SPECIFICATIONS ARE SUBJECT TO CHANGE WITHOUT NOTICE AT ANY TIME
  - UNLESS OTHERWISE SPECIFIED ALL DIMENSIONS ARE NOMINAL.

|  |  |
|--|--|
| UNLESS OTHERWISE SPECIFIED, DIMENSIONS ARE IN MILLIMETERS [INCHES].<br>UNLESS OTHERWISE SPECIFIED DIMENSIONAL TOLERANCES ARE:<br>.XX ±0.13 [.005"]<br>X ±0.20 [.008"]<br>X ±0.50 [.019"] |  |
| ANGULAR TOLERANCES ARE: ALL=±1°  |  |
| DO NOT SCALE DRAWING   |  |
| PROJECTION:  |  |

|           |         |            |
|-----------|---------|------------|
| DRAWN:    | L. Ma   | 10/12/2014 |
| CHECKED:  | J. Zhu  | 10/12/2014 |
| APPROVED: | M. Dong | 10/12/2014 |

TITLE:  
**Precision Adapter, Right Angle, 3.5mm Male to 3.5mm Female**

**CMPPTER**<sup>®</sup>  
 Cmppter Electronics Co., Ltd. [www.cmppter.com](http://www.cmppter.com)

PART No.:  
**PR-3.5M-3.5F-252**

|             |               |               |           |
|-------------|---------------|---------------|-----------|
| SIZE:<br>A4 | SCALE:<br>4:1 | SHEET:<br>1/1 | REV:<br>A |
|-------------|---------------|---------------|-----------|