

TECHNICAL DATA

Electrical

Impedance	50 Ω
VSWR	≤1.30
Power Handling	2W

Mechanical & Environmental

Durability (matings)	>500
Temperature range	-55 °C ~ +125 °C
RoHS Compliant	Yes

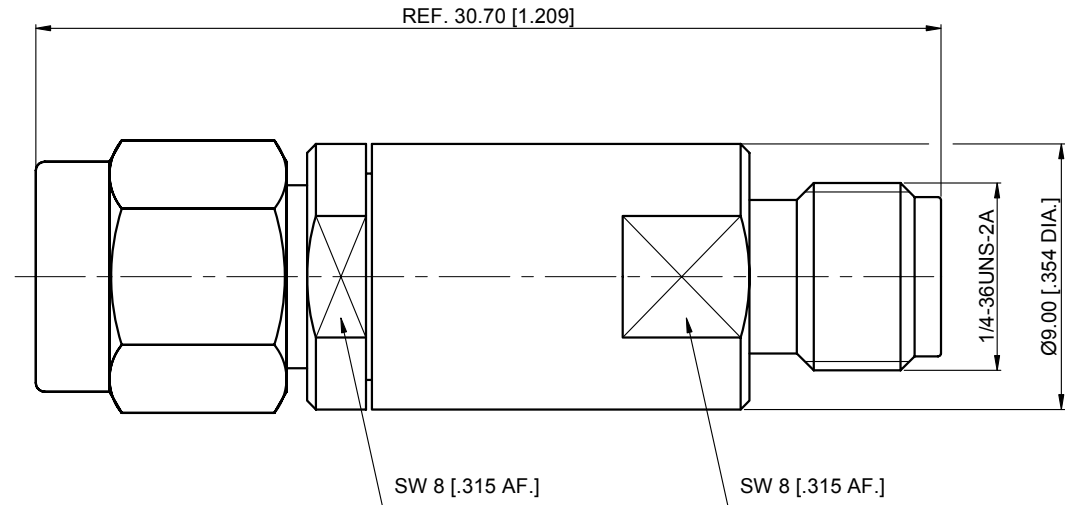
Material & Finish

Body	Stainless Steel (SU303), Passivated
Pin Contact	Beryllium Copper Alloy, Gold-plated
Coupling Nut	Stainless Steel (SU303), Passivated
Insulator	PTFE & PEI

Interface Standards

SMA	MIL-STD-348A
-----	--------------

REVISIONS				
REV	DESCRIPTION OF REVISION	ECN No.	DATE	APPROVED
A	INITIAL RELEASE	---	05/06/2014	M. Dong
B	ADD 6dB, 30dB PRODUCTS	---	08/16/2014	M. Dong



Part Number	Frequency Range	Attenuation Value & Accuracy (dB)
AT-SMA-27-03-010	DC-18GHz	3±0.4
	18-27GHz	3±0.6
AT-SMA-27-06-013	DC-18GHz	6±0.4
	18-27GHz	6±0.6
AT-SMA-27-10-011	DC-18GHz	10±0.5
	18-27GHz	10±0.8
AT-SMA-27-20-012	DC-18GHz	20±0.5
	18-27GHz	20±0.8
AT-SMA-27-30-014	DC-18GHz	30±0.6
	18-27GHz	30±0.8

NOTES:

- ALL SPECIFICATIONS ARE SUBJECT TO CHANGE WITHOUT NOTICE AT ANY TIME
- UNLESS OTHERWISE SPECIFIED ALL DIMENSIONS ARE NOMINAL.
- TECHNICAL DATA VALUES AT 25°C, SEA LEVEL.

UNLESS OTHERWISE SPECIFIED, DIMENSIONS ARE IN MILLIMETERS [INCHES].
UNLESS OTHERWISE SPECIFIED DIMENSIONAL TOLERANCES ARE:
XX ±0.13 [.005"]
X ±0.20 [.008"]
X ±0.50 [.019"]

ANGULAR TOLERANCES ARE: ALL±1°

DO NOT SCALE DRAWING

PROJECTION:

DRAWN:	L. Ma	08/16/2014
CHECKED:	J. Zhu	08/16/2014
APPROVED:	M. Dong	08/16/2014

TITLE:
Fixed Attenuator, SMA Male to SMA Female, 27GHz, 2W

CMPPTER®

Cmptter Electronics Co., Ltd. www.cmptter.com

PART No.:
AT-SMA-27-XX-XXX

SIZE: A4	SCALE: 4:1	SHEET: 1/1	REV: B
-------------	---------------	---------------	-----------