

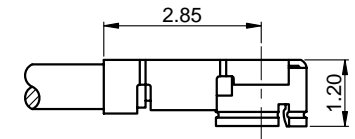
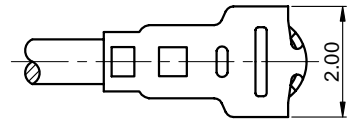
TECHNICAL DATA

1. Impedance: 50 Ω
2. Temp. range: -40~+90 °C
3. Durability: 500 Cycles (SMA Connector)
4. Voltage rating: 250 Vrms
5. Frequency range: 0~3 GHz
6. Durability: 30 cycles (W.FL Connector)
7. Cable assembly to be 100% tested for continuity

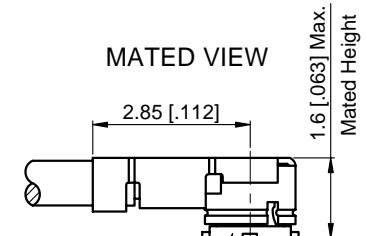
- 8. MATERIALS AND FINISHES**
SMA Straight Bulkhead Female Connector
 Body - Brass plated Gold
 Center contact - Brass plated Gold
 Insulator - PTFE
 Washer - Beryllium Copper Alloy plated Gold
 Fastening Nut - Brass plated Gold
 Gasket - MVQ (Silicone Rubber)

REVISIONS				
REV	DESCRIPTION OF REVISION	ECN No.	DATE	APPROVED
A	INITIAL RELEASE	---	04/08/2013	M. Dong
B	DIMENSIONS CHANGED	---	06/25/2013	M. Dong
C	ADD ROHS Compliant	---	07/16/2013	M. Dong
D	CHANGE MHF PLUG INTO MHF III PLUG	---	11/19/2013	M. Dong
E	ADD MHF III PLUG DRAWING	---	06/05/2014	M. Dong

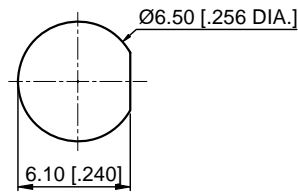
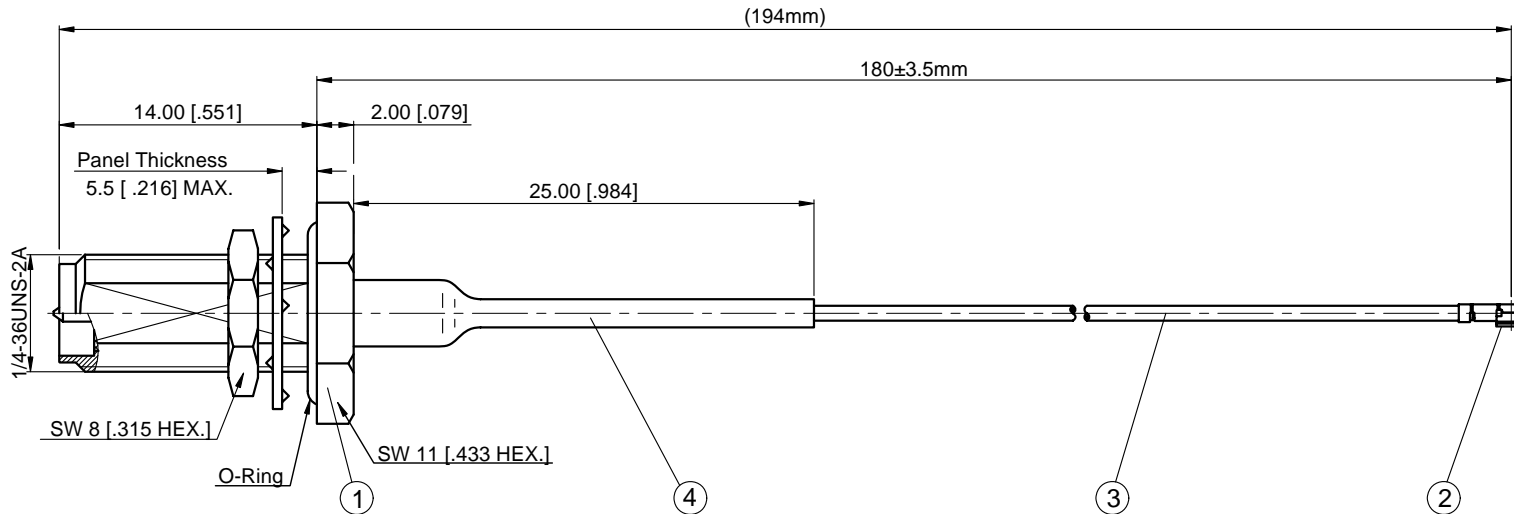
W.FL/MHF III Plug
 Enlarged Drawing
 7.5:1



MATED VIEW



Receptacle
 I-PEX P/N:
 20369-001E



Recommended Mounting Hole

ROHS Compliant

- NOTES:**
1. ALL SPECIFICATIONS ARE SUBJECT TO CHANGE WITHOUT NOTICE AT ANY TIME
 2. UNLESS OTHERWISE SPECIFIED ALL DIMENSIONS ARE NOMINAL.

4	HSTD-3.2-BK	3.2mm Diameter Dual Wall (Adhesive/glue) Heat-shrinkable Tube	1
3	MIC0.81	Mini Coaxial 0.81mm Cable	1
2	20367-001R or W.FL-040	W.FL/MHF III Right Angle Plug for MIC0.81 Cable	1
1	61-02-2D35-021	RP SMA Straight Waterproof Bulkhead Female Solder for 0.81mm Cable	1
S/N	Part No.	Description	QTY

UNLESS OTHERWISE SPECIFIED, DIMENSIONS ARE IN MILLIMETERS [INCHES].
 UNLESS OTHERWISE SPECIFIED DIMENSIONAL TOLERANCES ARE:
 .XX ±0.13 [.005"]
 .X ±0.20 [.008"]
 X ±0.50 [.019"]
 ANGULAR TOLERANCES ARE: ALL ±1°
 OVERALL CABLE LENGTH TOLERANCES ARE: ±2%
DO NOT SCALE DRAWING
 PROJECTION:

DRAWN: L. Ma 06/05/2014
 CHECKED: J. Zhu 06/05/2014
 APPROVED: M. Dong 06/05/2014

TITLE:
 Cable Assembly, RP SMA Straight Waterproof Bulkhead Female to WFL/MHF III Right Angle Plug, MIC0.81 Cable, 180mm

CMPPTER
 Cmppter Electronics Co., Ltd. www.cmppter.com
 PART No.:
CA081-RPSMAFBW-WFL-180mm-361
 SIZE: A4 SCALE: 2.5:1 SHEET: 1/1 REV: E