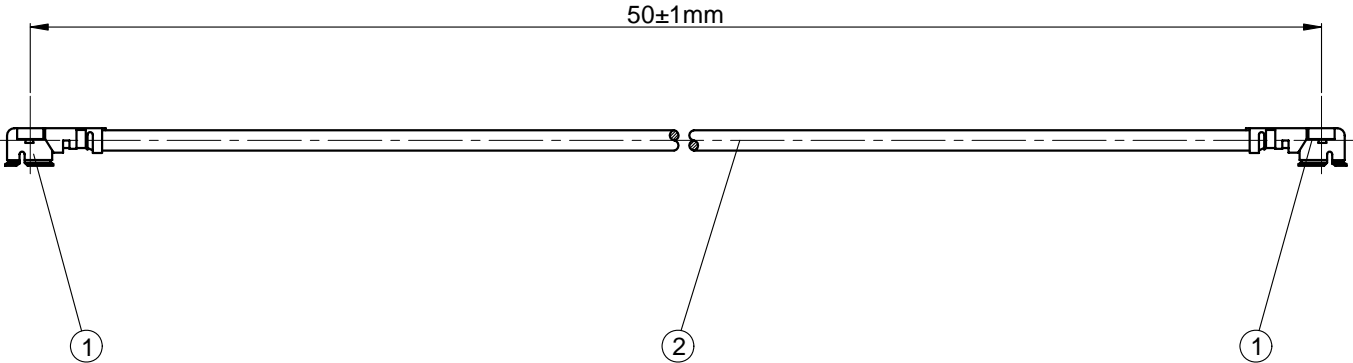


REV	DESCRIPTION OF REVISION	ECN No.	BY	DATE	APPROVED
A	INITIAL RELEASE	—	L. Ma	04/30/13	M. Dong

TECHNICAL DATA

- 1. Impedance: 50 Ω
- 2. Temp. range: -40~+90 °C
- 3. Withstanding voltage: AC60 Vrms
- 4. Frequency range: 0~3 GHz
- 5. Durability: 30 cycles
- 6. Cable assembly to be 100% tested for continuity



2	MIC1.37	Mini Coaxial 1.37mm Cable (Gray)	1
1	U.FL/MHF	U.FL/MHF Right Angle Plug for MIC1.37 Cable	2
S/N	Part No.	Description	QTY

DRAWN:	L. Ma 04/30/13
ENGINEER:	J. Zhu 04/30/13
APPROVED:	M. Dong 04/30/13
TOLERANCE UNLESS OTHERWISE SPECIFIED	
X	±0.50 [.019"]
.X	±0.20 [.008"]
.XX	±0.10 [.004"]
ANGLES	±1°

TITLE:	Cable Assembly, UFL/MHF Right Angle Plug to UFL/MHF Right Angle Plug, MIC1.37 Cable, 50mm
Part No.:	CA137-UFL-UFL-50mm-362

CMPPTER®
www.cmppter.com

DIMENSIONS IN MILLIMETERS (mm)

SIZE:	A4	SCALE:	2.5:1	SHEET:	1/1	REV:	A
-------	----	--------	-------	--------	-----	------	---

- NOTES:
- 1. ALL SPECIFICATIONS ARE SUBJECT TO CHANGE WITHOUT NOTICE AT ANY TIME
 - 2. CUSTOMER OUTLINE DRAWING FOR REFERENCE ONLY