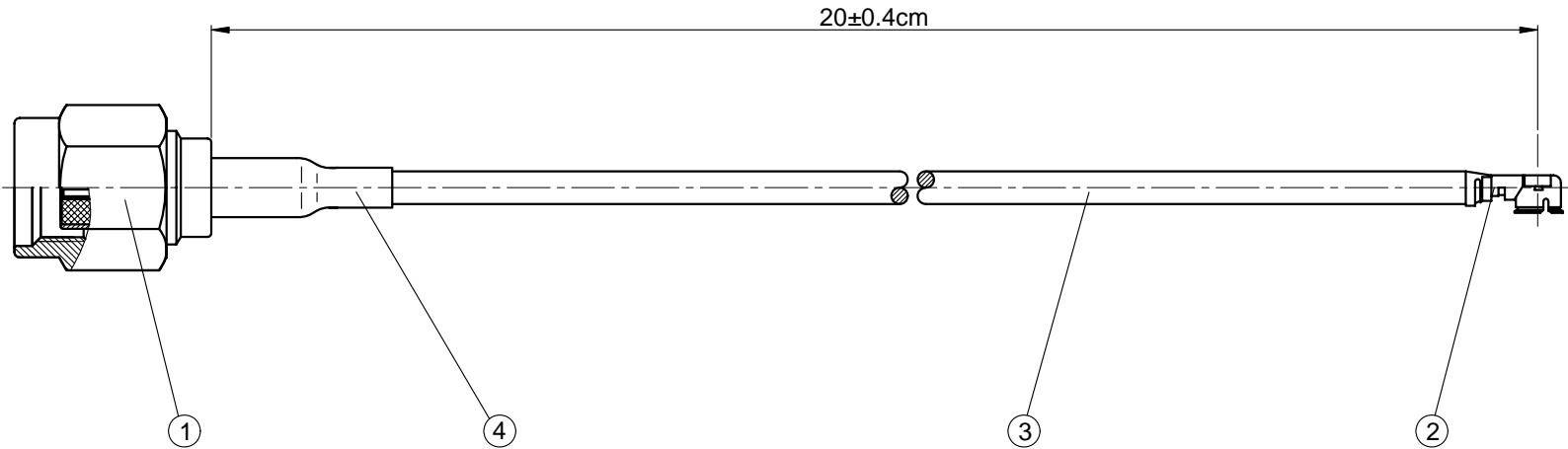


TECHNICAL DATA

1. Impedance: 50 Ω
2. Temp. range: -50~+155 °C
3. Durability: 500 Cycles (SMA Connector)
4. Voltage rating: 500 Vrms
5. Frequency range: 0~3 GHz
6. Durability: 30 cycles (UFL Connector)
7. Cable assembly to be 100% tested for continuity

- 8. MATERIALS AND FINISHES**
- RP Straight Male Connector
 - Body - Brass plated Gold
 - Center contact - Beryllium Copper Alloy plated Gold
 - Insulator - PTFE
 - Coupling Nut - Brass plated Gold
 - Gasket - Silicone Rubber

REVISIONS				
REV	DESCRIPTION OF REVISION	ECN No.	DATE	APPROVED
A	INITIAL RELEASE	—	05/24/2013	M. Dong



4		Dual Wall Heat-shrinkable Tube	1
3	RG178	Flexible RG178 Coax Cable Single shielded with Tan FEP Jacket	1
2	U.FL/MHF	U.FL/MHF Right Angle Plug for RG178 Cable	1
1	61-03-1M12-020-1	RP SMA Male Straight Crimp for RG178 Cable	1
S/N	Part No.	Description	QTY

UNLESS OTHERWISE SPECIFIED, DIMENSIONS ARE IN MILLIMETERS (INCHES). UNLESS OTHERWISE SPECIFIED DIMENSIONAL TOLERANCES ARE: .XX ±0.13 [.005"] .X ±0.20 [.008"] X ±0.50 [.019"]		DRAWN: L. Ma 05/24/2013
ANGULAR TOLERANCES ARE: ALL±1° OVERALL CABLE LENGTH TOLERANCES ARE: ±2%		CHECKED: J. Zhu 05/24/2013
DO NOT SCALE DRAWING		APPROVED: M. Dong 05/24/2013
PROJECTION:		TITLE: Cable Assembly, RP SMA Straight Male to UFL/MHF Right Angle Plug, RG178 Cable, 20cm

CMPPTER [®]			
Cmptter Electronics Co., Ltd. www.cmptter.com			
PART No.: CA178-RPSMAM-UFL-20cm-369			
SIZE: A4	SCALE: 2.5:1	SHEET: 1/1	REV: A

- NOTES:**
1. ALL SPECIFICATIONS ARE SUBJECT TO CHANGE WITHOUT NOTICE AT ANY TIME
 2. UNLESS OTHERWISE SPECIFIED ALL DIMENSIONS ARE NOMINAL.