

TECHNICAL DATA

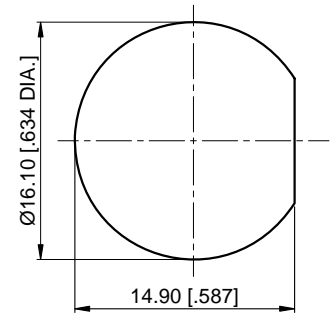
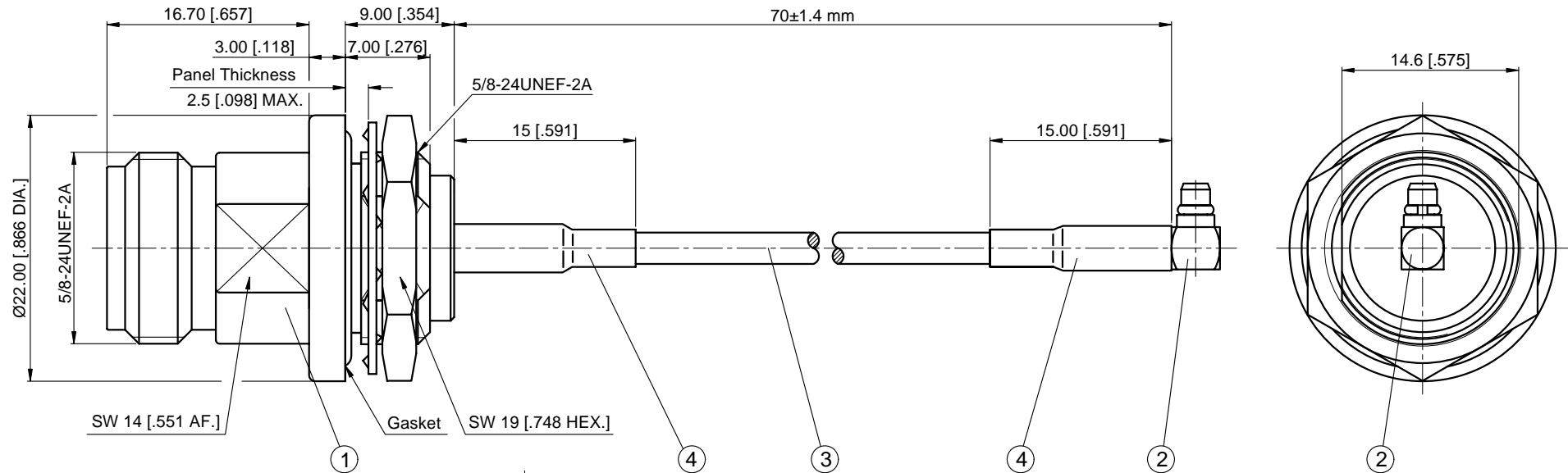
1. Impedance: 50 Ω
2. Temp. range: -55~+125 °C
3. Durability: 500 Cycles
4. Withstanding voltage: 335 V
5. Frequency range: 0~3 GHz
6. insertion Loss: ≤0.5 dB
7. Cable assembly to be 100% tested for continuity

8. MATERIALS AND FINISHES

N Straight Waterproof Bulkhead Female Connector:
 Body - Brass plated Nickel
 Center contact - Phosphor Bronze plated Gold
 Fastening Nut - Brass plated Nickel
 Insulator - PTFE
 Gasket - Silicone Rubber

MMCX Right Angle Male Connector:
 Body - Brass plated Gold
 Center contact - Brass plated Gold
 Insulator - PTFE

REVISIONS				
REV	DESCRIPTION OF REVISION	ECN No.	DATE	APPROVED
A	INITIAL RELEASE	---	02/12/2015	M. Dong
B	MMCX CONNECTOR DIRECTION CHANGED	---	02/13/2015	M. Dong
C	MOUNTING HOLE DIMENSIONS CHANGED	---	02/15/2015	M. Dong



4	HSTD-4-BK	4mm Diameter Dual Wall (Adhesive/glue) Heat-shrinkable Tube	2
3	RG316	Flexible RG316 Coax Cable Single shielded with Tan FEP Jacket	1
2	31-13-1M00-011	MMCX Right Angle Male Crimp for LMR100/RG174/RG316 Cable	1
1	50-02-1C00-131	N Straight Waterproof Bulkhead Female Crimp for LMR100/RG174/RG316	1
S/N	Part No.	Description	QTY

UNLESS OTHERWISE SPECIFIED, DIMENSIONS ARE IN MILLIMETERS (INCHES).
 UNLESS OTHERWISE SPECIFIED DIMENSIONAL TOLERANCES ARE:
 .XX ±0.13 [0.005"]
 .X ±0.20 [0.008"]
 X ±0.50 [0.019"]
 ANGULAR TOLERANCES ARE: ALL=±1°
 OVERALL CABLE LENGTH TOLERANCES ARE: ±2%
 DO NOT SCALE DRAWING
 PROJECTION:

DRAWN:	L. Ma	02/12/2015
CHECKED:	J. Zhu	02/12/2015
APPROVED:	M. Dong	02/12/2015

TITLE:
Cable Assembly, N Waterproof Bulkhead Female to MMCX Right Angle Male, RG316 Cable, 70mm

CMPPTER[®]
 Cmppter Electronics Co., Ltd. www.cmppter.com

PART No.:
CA316-NFBW-MMCXRAM-70mm-821

SIZE: A4	SCALE: 2:1	SHEET: 1/1	REV: C
----------	------------	------------	--------

RoHS Compliant

NOTES:

1. ALL SPECIFICATIONS ARE SUBJECT TO CHANGE WITHOUT NOTICE AT ANY TIME
2. UNLESS OTHERWISE SPECIFIED ALL DIMENSIONS ARE NOMINAL.