

A B C D E F G H I J

TECHNICAL DATA

Electrical

Impedance 50 Ω
 Frequency range 0~67 GHz
 VSWR 1.45:1
 Average Power 0.5W

Mechanical & Environmental

Durability (matings) >500
 Temperature range -55 °C ~ +125 °C
 RoHS Compliant Yes

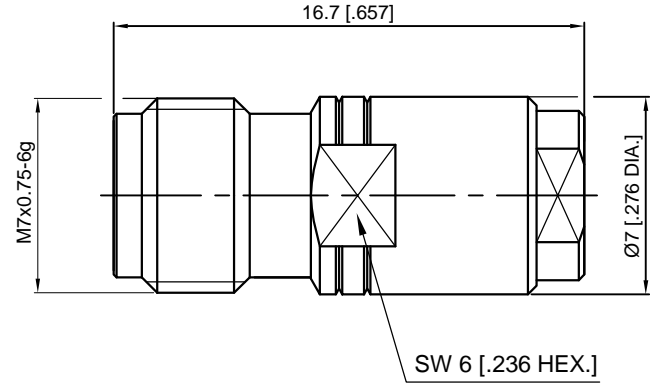
Material & Finish

Body Stainless Steel (SU303), Passivated
 Pin Contact Beryllium Copper Alloy, Gold-plated

Interface Standards

1.85mm IEC-61169

REVISIONS				
REV	DESCRIPTION OF REVISION	ECN No.	DATE	APPROVED
A	INITIAL RELEASE	—	03/10/2020	M. Dong



1

2

3

4

5

6

7

NOTES:

- ALL SPECIFICATIONS ARE SUBJECT TO CHANGE WITHOUT NOTICE AT ANY TIME
- UNLESS OTHERWISE SPECIFIED ALL DIMENSIONS ARE NOMINAL.

UNLESS OTHERWISE SPECIFIED, DIMENSIONS ARE IN MILLIMETERS [INCHES]. UNLESS OTHERWISE SPECIFIED DIMENSIONAL TOLERANCES ARE: .XX ±0.13 [0.005] X ±0.20 [0.008] X ±0.50 [0.019] ANGULAR TOLERANCES ARE: ALL= ±1° DO NOT SCALE DRAWING PROJECTION:	DRAWN:	L. Ma	03/10/2020
	CHECKED:	J. Zhu	03/10/2020
	APPROVED:	M. Dong	03/10/2020
	TITLE:		

Precision 1.85mm Female Termination, 0.5W, 67GHz			
SIZE:	SCALE:	SHEET:	REV:
A4	4:1	1/1	A

CMP^{TER}®
 Cmp^{ter} Electronics Co., Ltd. www.cmp^{ter}.com

PART No.: **TP-1.85F-066**

A B C D E F G H I J