

REVISIONS

REV	DESCRIPTION OF REVISION	ECN No.	DATE	APPROVED
A	INITIAL RELEASE	—	08/14/2010	M. Dong

TECHNICAL DATA

Electrical

Impedance	50 Ω
Frequency range	0~6 GHz
VSWR	1.25:1
Average Power	2W

Mechanical & Environmental

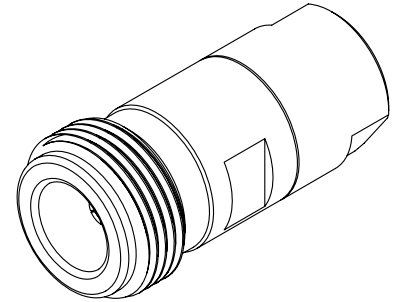
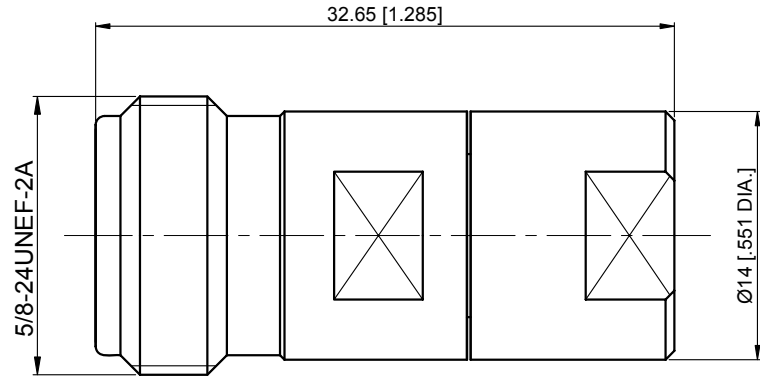
Durability (matings)	>500
Temperature range	-55 °C ~ +125 °C
RoHS Compliant	Yes

Material & Finish

Body	Brass, Nickel-plated
Pin Contact	Phosphor Bronze, Gold-plated
Insulator	PTFE

Interface Standards

N	MIL-STD-348A
---	--------------



- NOTES:
- ALL SPECIFICATIONS ARE SUBJECT TO CHANGE WITHOUT NOTICE AT ANY TIME
 - UNLESS OTHERWISE SPECIFIED ALL DIMENSIONS ARE NOMINAL.

UNLESS OTHERWISE SPECIFIED, DIMENSIONS ARE IN MILLIMETERS [INCHES]. UNLESS OTHERWISE SPECIFIED DIMENSIONAL TOLERANCES ARE: .XX ±0.13 [005"] .X ±0.20 [008"] X ±0.50 [019"] ANGULAR TOLERANCES ARE: ALL±1° DO NOT SCALE DRAWING PROJECTION:

DRAWN:	L. Ma	08/14/2010
CHECKED:	J. Zhu	08/14/2010
APPROVED:	M. Dong	08/14/2010

TITLE:
Termination, N Female,
2 Watts, DC to 6GHz

CMP TER®
Cmptter Electronics Co., Ltd. www.cmptter.com

PART No.:
T-NF-021

SIZE: A4	SCALE: 2.5:1	SHEET: 1/1	REV: A
-------------	-----------------	---------------	-----------