

REVISIONS				
REV	DESCRIPTION OF REVISION	ECN No.	DATE	APPROVED
A	INITIAL RELEASE	—	08/05/2010	M. Dong

TECHNICAL DATA

Electrical

Impedance	50 Ω
Frequency range	0~6 GHz
VSWR	1.25:1
Average Power	2W

Mechanical & Environmental

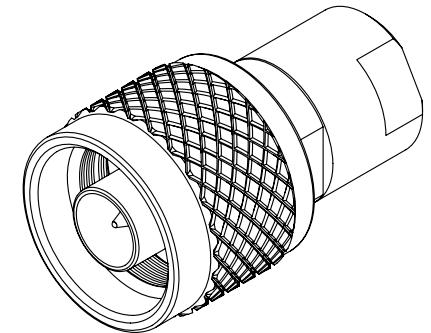
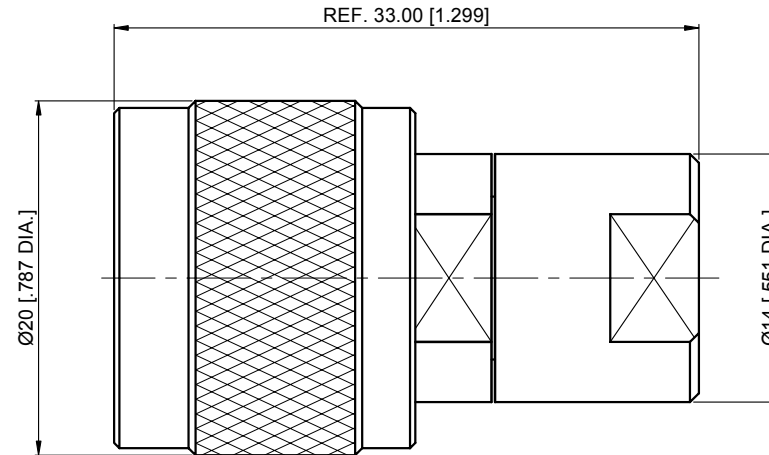
Durability (matings)	>500
Temperature range	-55 °C ~ +125 °C
RoHS Compliant	Yes

Material & Finish

Body	Brass, Nickel-plated
Pin Contact	Brass, Gold-plated
Coupling Nut	Brass, Nickel-plated
Insulator	PTFE
Gasket	Silicone Rubber

Interface Standards

N	MIL-STD-348A
---	--------------



UNLESS OTHERWISE SPECIFIED, DIMENSIONS ARE IN MILLIMETERS [INCHES].
UNLESS OTHERWISE SPECIFIED DIMENSIONAL TOLERANCES ARE:
XX ±0.13 [005"]
X ±0.20 [008"]
X ±0.50 [019"]
ANGULAR TOLERANCES ARE: ALL±1°

DO NOT SCALE DRAWING

PROJECTION:

DRAWN: L. Ma 08/05/2010
CHECKED: J. Zhu 08/05/2010
APPROVED: M. Dong 08/05/2010

TITLE:
Termination, N Male,
2 Watts, DC to 6GHz

CMPPTER®
Cmptter Electronics Co., Ltd. www.cmptter.com

PART No.:
T-NM-020

SIZE: A4 SCALE: 2.5:1 SHEET: 1/1 REV: A

NOTES:

- ALL SPECIFICATIONS ARE SUBJECT TO CHANGE WITHOUT NOTICE AT ANY TIME
- UNLESS OTHERWISE SPECIFIED ALL DIMENSIONS ARE NOMINAL.