

# TECHNICAL DATA

## Electrical

Impedance	50 Ω
Frequency range	0~18 GHz
VSWR	1.15:1
Average Power	1W

## Mechanical & Environmental

Durability (matings)	>500
Temperature range	-55 °C ~ +125 °C
RoHS Compliant	Yes

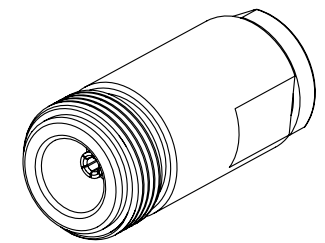
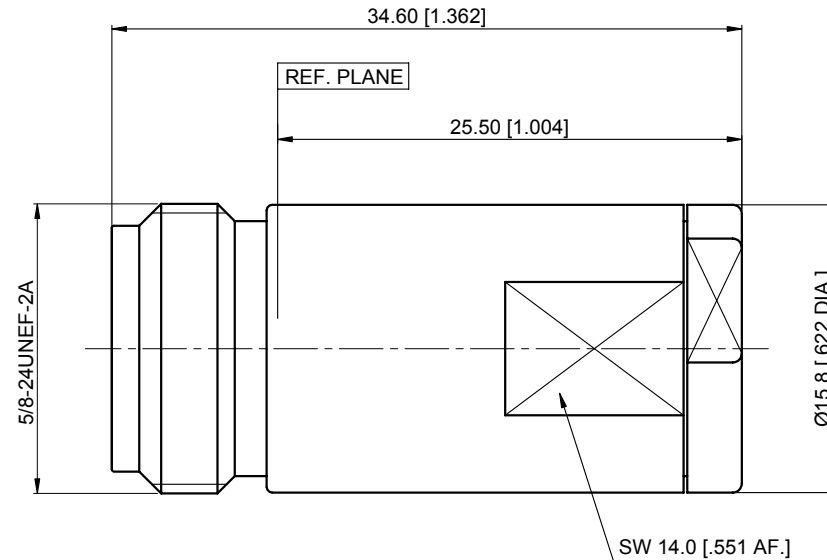
## Material & Finish

Body	Stainless Steel (SU303), Passivated
Pin Contact	Beryllium Copper Alloy, Gold-plated

## Interface Standards

N	MIL-STD-348A
---	--------------

REVISIONS				
REV	DESCRIPTION OF REVISION	ECN No.	DATE	APPROVED
A	INITIAL RELEASE		08/02/2010	M. Dong



UNLESS OTHERWISE SPECIFIED, DIMENSIONS ARE IN MILLIMETERS (INCHES). UNLESS OTHERWISE SPECIFIED DIMENSIONAL TOLERANCES ARE: .XX ±0.13 [005"] .X ±0.20 [008"] X ±0.50 [019"] ANGULAR TOLERANCES ARE: ALL=±1°	
DO NOT SCALE DRAWING	
PROJECTION:	

DRAWN:	L. Ma	08/02/2010
CHECKED:	J. Zhu	08/02/2010
APPROVED:	M. Dong	08/02/2010

TITLE:  
**Precision N Female Termination, 1W, 18GHz**

<b>CMPPTER</b> <sup>®</sup>			
Cmptter Electronics Co., Ltd. <a href="http://www.cmptter.com">www.cmptter.com</a>			
PART No.: <b>TP-NF-002</b>			
SIZE: A4	SCALE: 2.5:1	SHEET: 1/1	REV: A

### NOTES:

- ALL SPECIFICATIONS ARE SUBJECT TO CHANGE WITHOUT NOTICE AT ANY TIME
- UNLESS OTHERWISE SPECIFIED ALL DIMENSIONS ARE NOMINAL.