

# TECHNICAL DATA

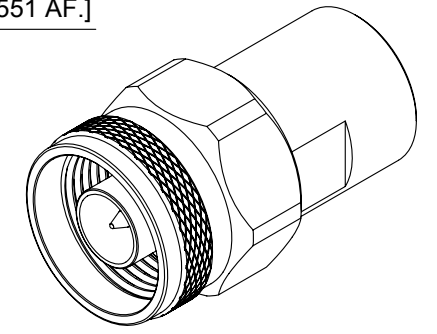
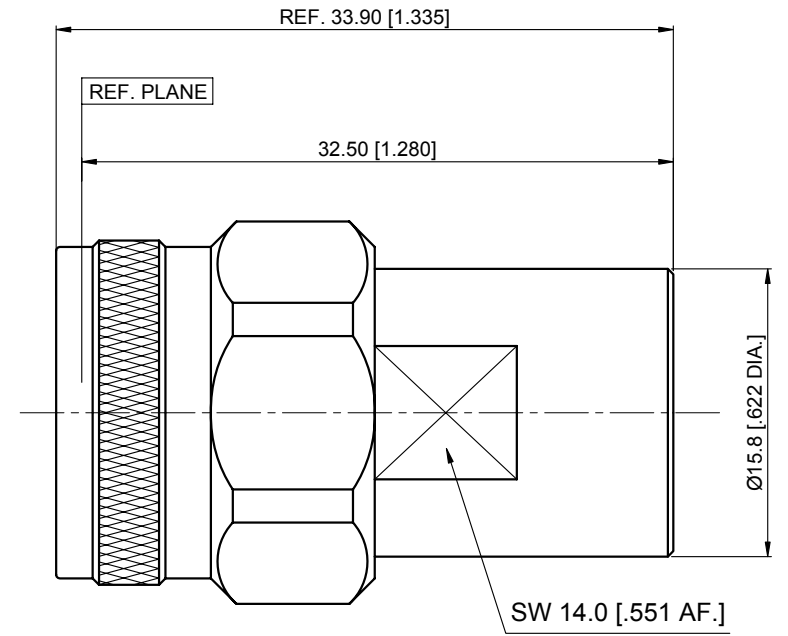
**Electrical**  
 Impedance 50 Ω  
 Frequency range 0~18 GHz  
 VSWR 1.15:1  
 Average Power 1W

**Mechanical & Environmental**  
 Durability (matings) >500  
 Temperature range -55 °C ~ +125 °C  
 RoHS Compliant Yes

**Material & Finish**  
 Body Stainless Steel (SU303), Passivated  
 Pin Contact Beryllium Copper Alloy, Gold-plated  
 Coupling nut Stainless Steel (SU303), Passivated

**Interface Standards**  
 N MIL-STD-348A

REVISIONS				
REV	DESCRIPTION OF REVISION	ECN No.	DATE	APPROVED
A	INITIAL RELEASE		08/02/2010	M. Dong



UNLESS OTHERWISE SPECIFIED, DIMENSIONS ARE IN MILLIMETERS (INCHES). UNLESS OTHERWISE SPECIFIED DIMENSIONAL TOLERANCES ARE: .XX ±0.13 [0.05"] .X ±0.20 [0.08"] X ±0.50 [0.19"]	
ANGULAR TOLERANCES ARE: ALL±1°	
DO NOT SCALE DRAWING	
PROJECTION:	

DRAWN:	L. Ma	08/02/2010
CHECKED:	J. Zhu	08/02/2010
APPROVED:	M. Dong	08/02/2010
TITLE: <b>Precision N Male Termination, 1W, 18GHz</b>		

 Cmpter Electronics Co., Ltd. <a href="http://www.cmpter.com">www.cmpter.com</a>			
PART No.: <b>TP-NM-001</b>			
SIZE: A4	SCALE: 2.5:1	SHEET: 1/1	REV: A

**NOTES:**  
 1. ALL SPECIFICATIONS ARE SUBJECT TO CHANGE WITHOUT NOTICE AT ANY TIME  
 2. UNLESS OTHERWISE SPECIFIED ALL DIMENSIONS ARE NOMINAL.