



*...A Vital Part of Connection World*

High Frequency RF Coaxial Terminations Catalog

**DC to 67GHz**



## **Cmptter Electronics Co., Limited**

#2-3F, SaiQiElectronicsPark, Dantu New city  
Industry area, ZhenJiangCity, 212028, JS, China

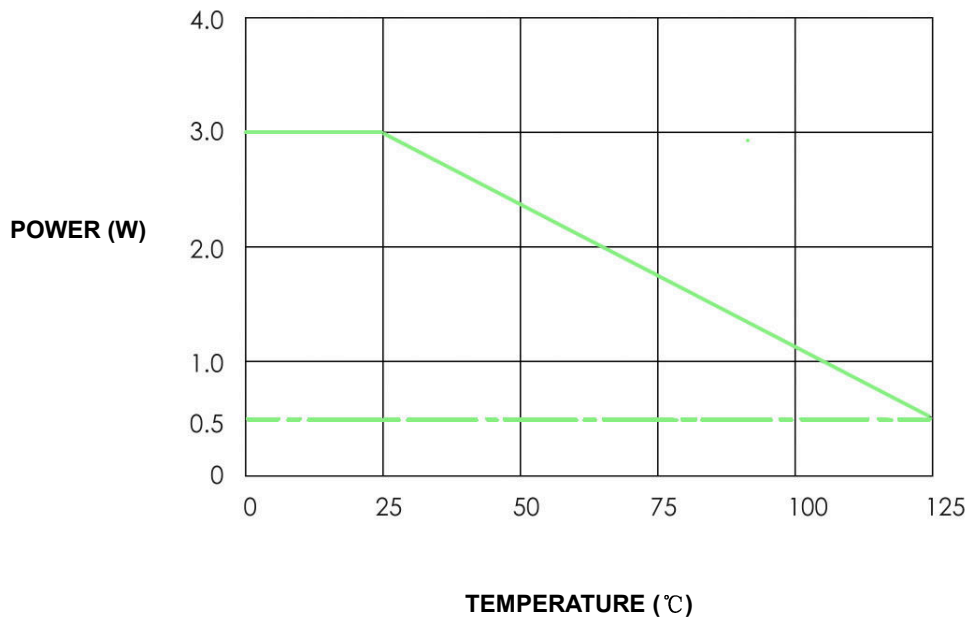
Tel: (86) 511 8443 6131

Email: sales@cmptter.com

Web: www.cmptter.com

High Frequency RF terminations from Cmptter Electronics are available with 1.85mm, 2.4mm, 2.92mm, 3.5mm, SSMA, SMA, SMP, SSMP and N-type, include male & female, Jack & Plug genders, also some models design with chain, all of them are 50Ohms, DC to 67GHz. VSWR between 1.05 to 1.40 and Powers have 0.25 Watts, 0.5 Watts, 1 Watts, 2 Watts, 5 Watts, 10 Watts, 25 Watts, 50 Watts and 100 Watts or other powers models RF load terminations are available too.

**Typical Power Derating**



The referenced average power is applicable at 25°C ambient temperature. For higher ambient temperature a certain power derating may be required. Please check detailed product specification.

**Features**

- Frequency Range from DC to 67GHz
- High Reliability Versions Available
- Low VSWR
- Telecom Tuned Circuit Designs Available
- Operating Temperature from -55°C to +125°C

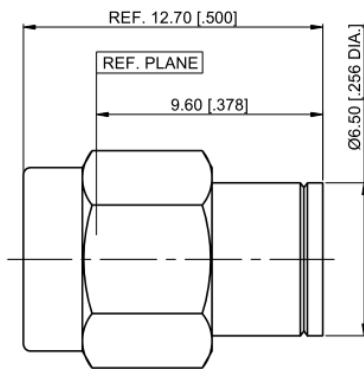
**Applications**

- High Power Amplifier
- Instrumentation
- Satellite Communication
- Splitters & Combiners
- High Power Filters
- Military
- Broadcast

# SMA Termination

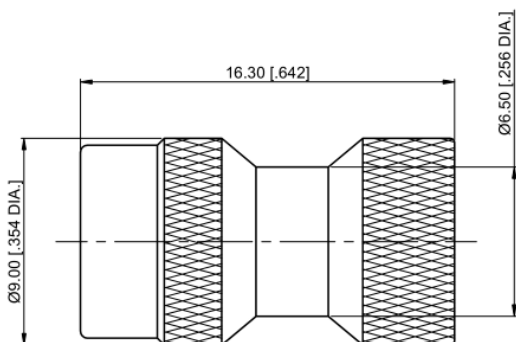
## SMA Male Termination, 2Watt, 27GHz

PN	Watts	Frequency	VSWR
TP-SMAM-030	2w	DC to 18GHz, DC to 27GHz	1.20



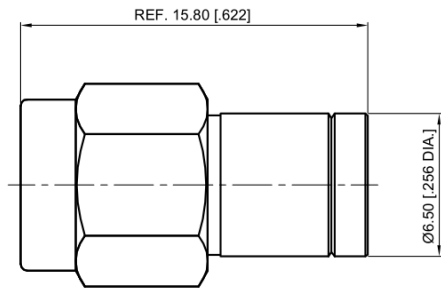
## SMA Male Quick Mate Termination, 1Watt, 18GHz

PN	Watts	Frequency	VSWR
TP-SMAM-011	1w	DC to 18GHz	1.15



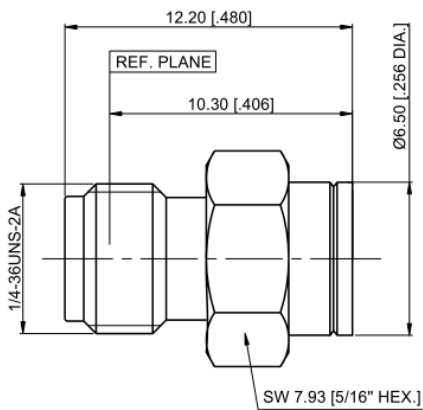
**SMA Male Termination, 2Watt, 18GHz**

PN	Watts	Frequency	VSWR
TP-SMAM-047	2w	DC to 18GHz	1.30



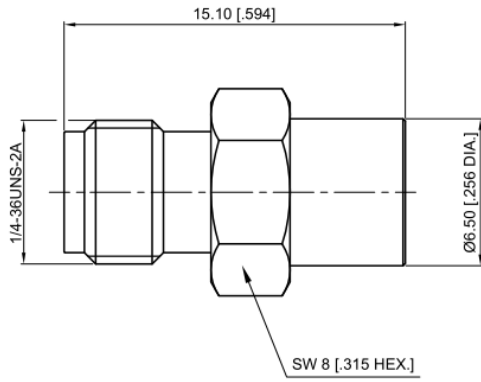
**SMA Female Termination, 2Watt, 27GHz**

PN	Watts	Frequency	VSWR
TP-SMAF-031	2w	DC to 18GHz, DC to 27GHz	1.20



SMA Female Termination, 2Watt, 18GHz

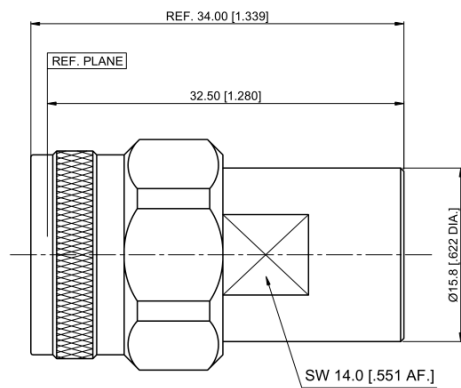
PN	Watts	Frequency	VSWR
TP-SMAF-053	2w	DC to 18GHz	1.30



# N-type Termination

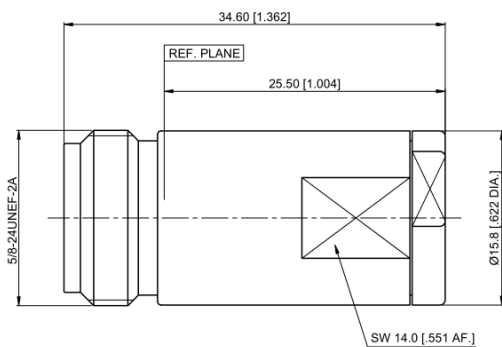
## N-type Male Termination, 2Watt, 18GHz

PN	Watts	Frequency	VSWR
TP-NM-001	2w	DC to 18GHz	1.20



## N-type Female Termination, 2Watt, 18GHz

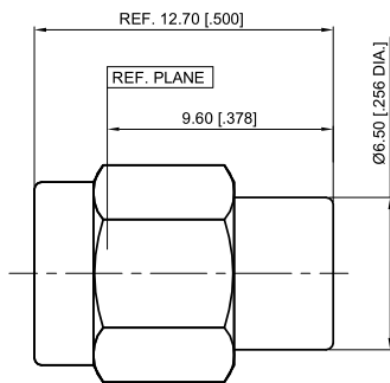
PN	Watts	Frequency	VSWR
TP-NF-002	2w	DC to 18GHz	1.20



# 3.5mm Termination

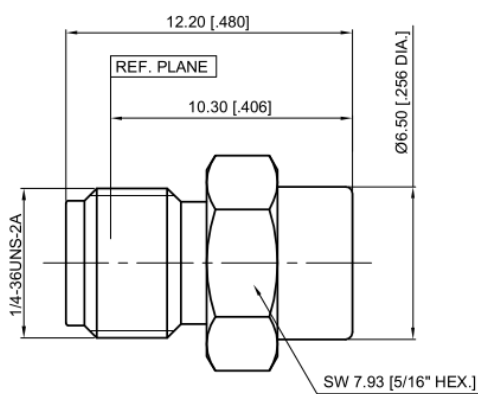
## 3.5mm Male Termination, 1Watt, 33GHz

PN	Watts	Frequency	VSWR
TP-3.5M-005	1w	DC to 33GHz	1.20



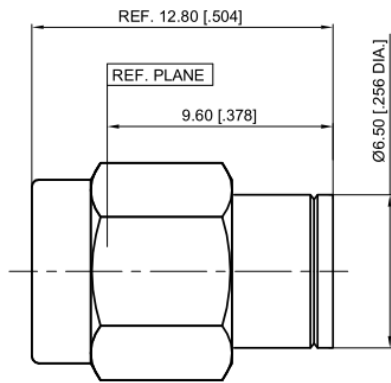
## 3.5mm Female Termination, 1Watt, 33GHz

PN	Watts	Frequency	VSWR
TP-3.5F-006	1w	DC to 33GHz	1.20



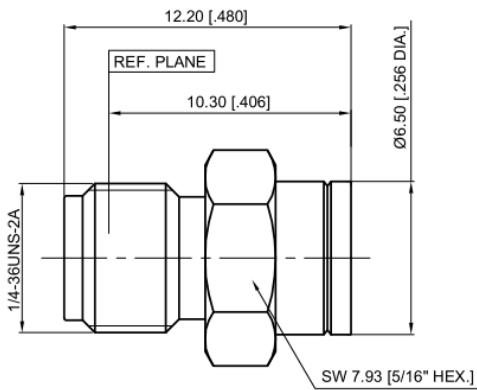
**3.5mm Male Termination, 2Watt, 33GHz**

PN	Watts	Frequency	VSWR
TP-3.5M-014	2w	DC to 33GHz	1.20



**3.5mm Female Termination, 2Watt, 33GHz**

PN	Watts	Frequency	VSWR
TP-3.5F-015	2w	DC to 33GHz	1.20

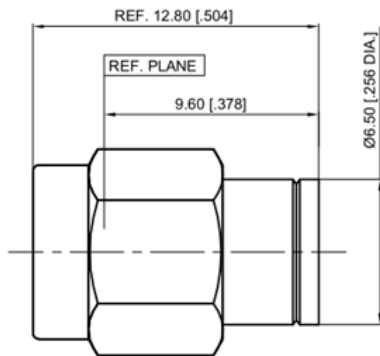




# 2.92mm Termination

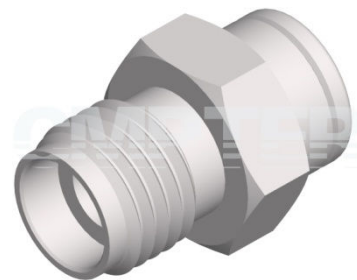
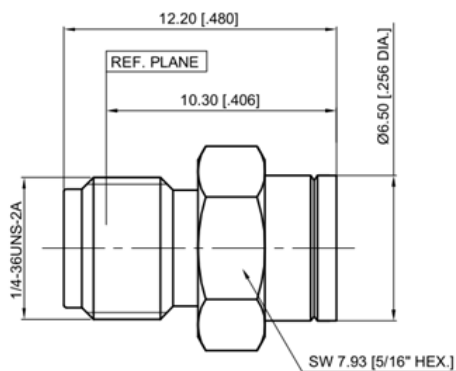
## 2.92mm Male Termination, 1Watt, 40GHz

PN	Watts	Frequency	VSWR
TP-1.85M-065	0.5w	DC to 40GHz	≤ 1.20



## 2.92mm Female Termination, 1Watt, 40GHz

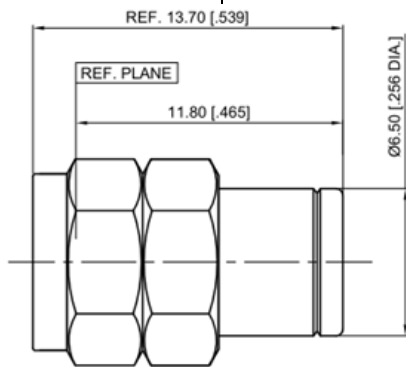
PN	Watts	Frequency	VSWR
TP-1.85M-065	0.5w	DC to 40GHz	≤ 1.20



# 2.4mm Termination

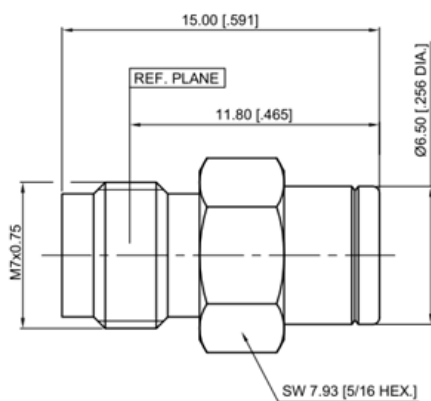
## 2.4mm Male Termination, 1 Watt, 50GHz

PN	Watts	Frequency	VSWR
TP-2.4M-009	1w	DC to 50GHz	$\leq 1.30$



## 2.4mm Female Termination, 1 Watt, 50GHz

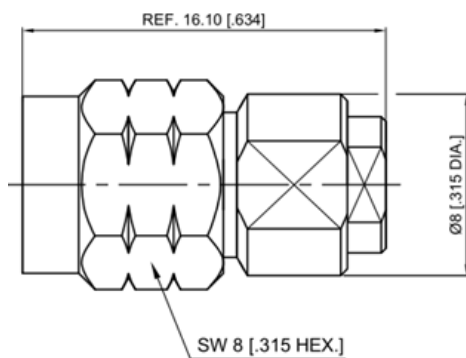
PN	Watts	Frequency	VSWR
TP-2.4F-010	1w	DC to 50GHz	$\leq 1.30$



# 1.85mm Termination

## 1.85mm Male Termination, 0.5Watt, 67GHz

PN	Watts	Frequency	VSWR
TP-1.85M-065	0.5w	DC to 67GHz	1.35



## 1.85mm Female Termination, 0.5Watt, 67GHz

PN	Watts	Frequency	VSWR
TP-1.85M-065	0.5w	DC to 67GHz	1.35

