

A B C D E F G H I J

TECHNICAL DATA

Electrical

Impedance 50 Ω
 Frequency range 0~18 GHz
 VSWR 1.30:1
 Average Power 1W

Mechanical & Environmental

Durability (matings) >500
 Temperature range -55 °C ~ +125 °C
 RoHS Compliant Yes

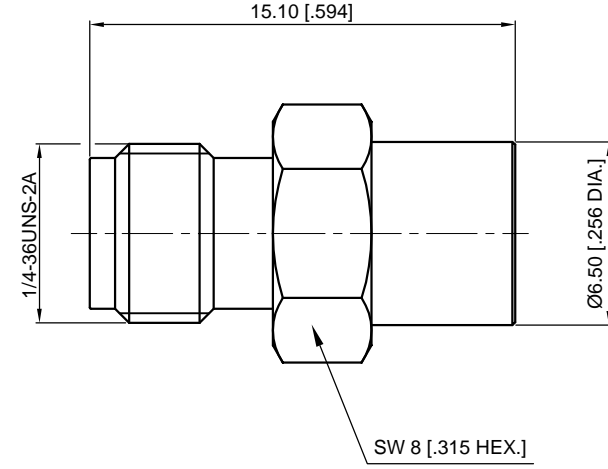
Material & Finish

Body Brass, Gold-plated
 Pin Contact Beryllium Copper Alloy, Gold-plated
 Insulator PTFE

Interface Standards

SMA MIL-STD-348A

REVISIONS				
REV	DESCRIPTION OF REVISION	ECN No.	DATE	APPROVED
A	INITIAL RELEASE	—	01/08/2018	M. Dong



1
2
3
4
5
6
7

1
2
3
4
5
6
7

NOTES:
 1. ALL SPECIFICATIONS ARE SUBJECT TO CHANGE WITHOUT NOTICE AT ANY TIME
 2. UNLESS OTHERWISE SPECIFIED ALL DIMENSIONS ARE NOMINAL.

UNLESS OTHERWISE SPECIFIED, DIMENSIONS ARE IN MILLIMETERS (INCHES). UNLESS OTHERWISE SPECIFIED DIMENSIONAL TOLERANCES ARE: .XX ±0.13 [.005"] X ±0.20 [.008"] X ±0.50 [.019"] ANGULAR TOLERANCES ARE: ALL±1° DO NOT SCALE DRAWING PROJECTION:	DRAWN:	L. Ma	01/15/2018
	CHECKED:	J. Zhu	01/15/2018
	APPROVED:	M. Dong	01/15/2018
TITLE:		SMA Female Termination, 1W, 18GHz	

CMPPTER[®]
 Cmppter Electronics Co., Ltd. www.cmppter.com

PART No.: **T-SMAF-053**

SIZE: A4	SCALE: 4:1	SHEET: 1/1	REV: A
----------	------------	------------	--------

A B C D E F G H I J