

# TECHNICAL DATA

## Electrical

Impedance 50 Ω  
 Frequency range 0~18 GHz  
 VSWR 1.15:1  
 Average Power 1W

## Mechanical & Environmental

Durability (matings) >500  
 Temperature range -55 °C ~ +125 °C  
 RoHS Compliant Yes

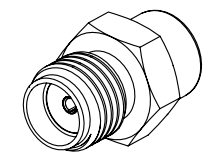
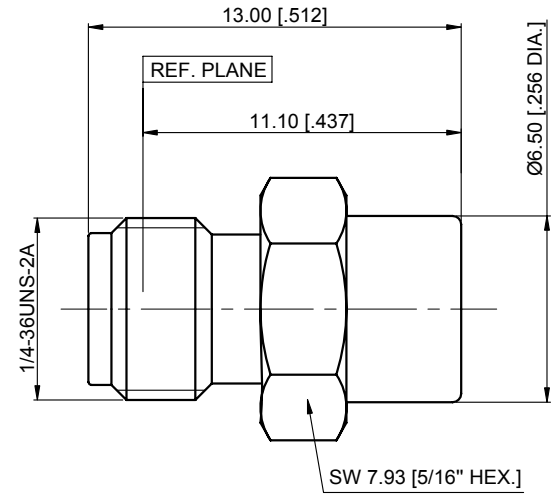
## Material & Finish

Body Stainless Steel (SU303), Passivated  
 Pin Contact Beryllium Copper Alloy, Gold-plated

## Interface Standards

SMA MIL-STD-348A

REVISIONS				
REV	DESCRIPTION OF REVISION	ECN No.	DATE	APPROVED
A	INITIAL RELEASE	—	08/02/2010	M. Dong



UNLESS OTHERWISE SPECIFIED, DIMENSIONS ARE IN MILLIMETERS (INCHES). UNLESS OTHERWISE SPECIFIED DIMENSIONAL TOLERANCES ARE: .XX ±0.13 [.005"] .X ±0.20 [.008"] X ±0.50 [.019"] ANGULAR TOLERANCES ARE: ALL±1° DO NOT SCALE DRAWING PROJECTION:
--

DRAWN:	L. Ma	08/02/2010
CHECKED:	J. Zhu	08/02/2010
APPROVED:	M. Dong	08/02/2010

TITLE:  
**Precision SMA Female Termination, 1W, 18GHz**

Cmpter Electronics Co., Ltd. <a href="http://www.cmpter.com">www.cmpter.com</a>			
PART No.: <b>TP-SMAF-004</b>			
SIZE: A4	SCALE: 4:1	SHEET: 1/1	REV: A

- NOTES:
- ALL SPECIFICATIONS ARE SUBJECT TO CHANGE WITHOUT NOTICE AT ANY TIME
  - UNLESS OTHERWISE SPECIFIED ALL DIMENSIONS ARE NOMINAL.