

REVISIONS

REV	DESCRIPTION OF REVISION	ECN No.	DATE	APPROVED
A	INITIAL RELEASE		05/12/2015	M. Dong

TECHNICAL DATA

Electrical

Impedance 50 Ω
 Frequency range 0~18 GHz
 VSWR 1.20:1
 Average Power 2W

Mechanical & Environmental

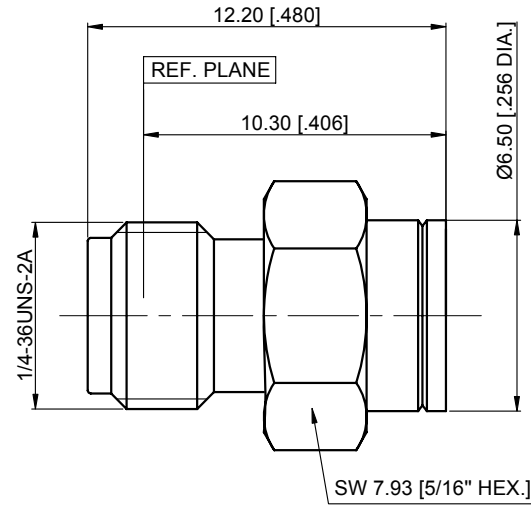
Durability (matings) >500
 Temperature range -55 °C ~ +125 °C
 RoHS Compliant Yes

Material & Finish

Body Stainless Steel (SU303), Passivated
 Pin Contact Beryllium Copper Alloy, Gold-plated
 Coupling nut Stainless Steel (SU303), Passivated

Interface Standards

SMA MIL-STD-348A



UNLESS OTHERWISE SPECIFIED, DIMENSIONS ARE IN MILLIMETERS [INCHES].
 UNLESS OTHERWISE SPECIFIED DIMENSIONAL TOLERANCES ARE:

.XX ±0.13 [0.005"]
 X ±0.20 [0.008"]
 X ±0.50 [0.019"]

ANGULAR TOLERANCES ARE: ALL±1°

DO NOT SCALE DRAWING

PROJECTION:

DRAWN:	L. Ma	05/12/2015
CHECKED:	J. Zhu	05/12/2015
APPROVED:	M. Dong	05/12/2015

TITLE:
Precision SMA Female Termination, 2W, 18GHz



Cmptter Electronics Co., Ltd. www.cmptter.com

PART No.: **TP-SMAF-031**

SIZE: A4	SCALE: 4:1	SHEET: 1/1	REV: A
----------	------------	------------	--------

NOTES:

- ALL SPECIFICATIONS ARE SUBJECT TO CHANGE WITHOUT NOTICE AT ANY TIME
- UNLESS OTHERWISE SPECIFIED ALL DIMENSIONS ARE NOMINAL.