

REVISIONS

| REV | DESCRIPTION OF REVISION | ECN No. | DATE | APPROVED |
|-----|-------------------------|---------|------------|----------|
| A | INITIAL RELEASE | — | 09/05/2010 | M. Dong |

TECHNICAL DATA

Electrical

| | |
|-----------------|---------|
| Impedance | 50 Ω |
| Frequency range | 0~6 GHz |
| VSWR | 1.25:1 |
| Average Power | 5W |

Mechanical & Environmental

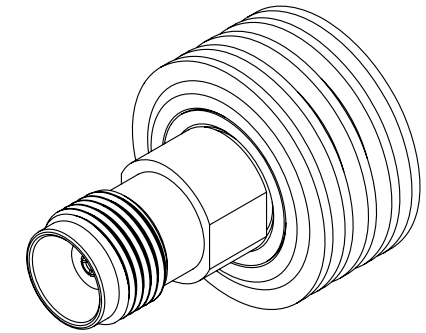
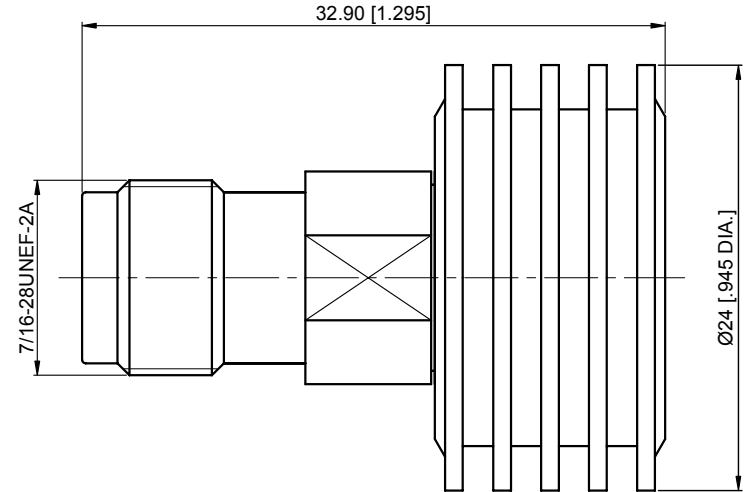
| | |
|----------------------|------------------|
| Durability (matings) | >500 |
| Temperature range | -55 °C ~ +125 °C |
| RoHS Compliant | Yes |

Material & Finish

| | |
|-------------|------------------------------|
| Body | Brass, Nickel-plated |
| Pin Contact | Phosphor Bronze, Gold-plated |
| Radiator | Aluminium, Blackening |
| Insulator | PTFE |

Interface Standards

| | |
|---|--------------|
| N | MIL-STD-348A |
|---|--------------|



| | |
|--|--------------|
| UNLESS OTHERWISE SPECIFIED, DIMENSIONS ARE IN MILLIMETERS [INCHES]. UNLESS OTHERWISE SPECIFIED DIMENSIONAL TOLERANCES ARE: | |
| .XX | ±0.13 [005"] |
| .X | ±0.20 [008"] |
| X | ±0.50 [019"] |
| ANGULAR TOLERANCES ARE: ALL=±1° | |
| DO NOT SCALE DRAWING | |
| PROJECTION: | |

| | | |
|-----------|---------|------------|
| DRAWN: | L. Ma | 09/05/2010 |
| CHECKED: | J. Zhu | 09/05/2010 |
| APPROVED: | M. Dong | 09/05/2010 |

TITLE:
Termination, TNC Female,
5 Watts, DC to 6GHz

CMPPTER®
Cmptter Electronics Co., Ltd. www.cmptter.com

PART No.:
T-TNCF-029

| | | | |
|-------------|-----------------|---------------|-----------|
| SIZE: A4 | SCALE: 2.5:1 | SHEET: 1/1 | REV: A |
|-------------|-----------------|---------------|-----------|

- NOTES:
- ALL SPECIFICATIONS ARE SUBJECT TO CHANGE WITHOUT NOTICE AT ANY TIME
 - UNLESS OTHERWISE SPECIFIED ALL DIMENSIONS ARE NOMINAL.