

REVISIONS

REV	DESCRIPTION OF REVISION	ECN No.	DATE	APPROVED
A	INITIAL RELEASE	—	09/11/2010	M. Dong

TECHNICAL DATA

Electrical

Impedance	50 Ω
Frequency range	0~6 GHz
VSWR	1.25:1
Average Power	5W

Mechanical & Environmental

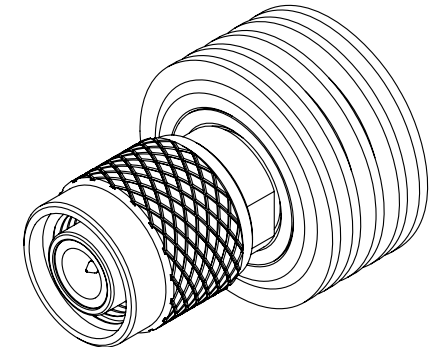
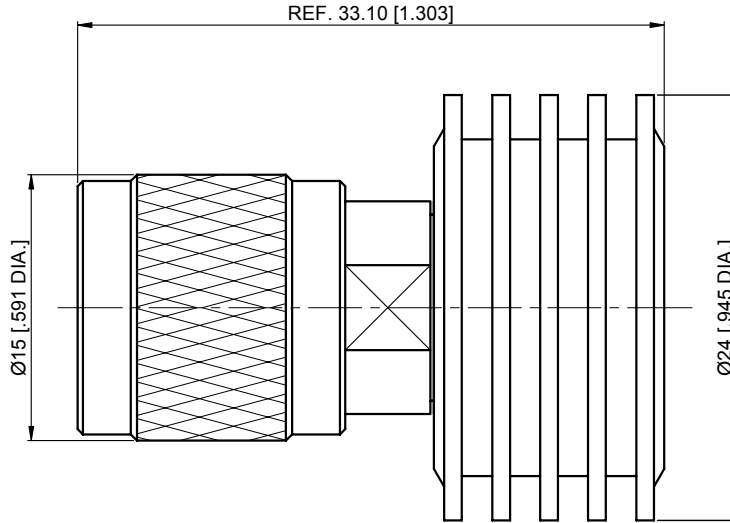
Durability (matings)	>500
Temperature range	-55 °C ~ +125 °C
RoHS Compliant	Yes

Material & Finish

Body	Brass, Nickel-plated
Pin Contact	Brass, Gold-plated
Coupling Nut	Brass, Nickel-plated
Radiator	Aluminium, Blackening
Insulator	PTFE
Gasket	Silicone Rubber

Interface Standards

TNC	MIL-STD-348A
-----	--------------



NOTES:

1. ALL SPECIFICATIONS ARE SUBJECT TO CHANGE WITHOUT NOTICE AT ANY TIME
2. UNLESS OTHERWISE SPECIFIED ALL DIMENSIONS ARE NOMINAL.

UNLESS OTHERWISE SPECIFIED, DIMENSIONS ARE IN MILLIMETERS [INCHES]. UNLESS OTHERWISE SPECIFIED DIMENSIONAL TOLERANCES ARE:

.XX	±0.13 [005"]
.X	±0.20 [008"]
X	±0.50 [019"]

ANGULAR TOLERANCES ARE: ALL=±1°

DO NOT SCALE DRAWING

PROJECTION:

DRAWN:	L. Ma	09/11/2010
CHECKED:	J. Zhu	09/11/2010
APPROVED:	M. Dong	09/11/2010

TITLE:  
Termination, TNC Male,  
5 Watts, DC to 6GHz



Cmptter Electronics Co., Ltd. [www.cmptter.com](http://www.cmptter.com)

PART No.:  
**T-TNCM-028**

SIZE: A4	SCALE: 2.5:1	SHEET: 1/1	REV: A
-------------	-----------------	---------------	-----------